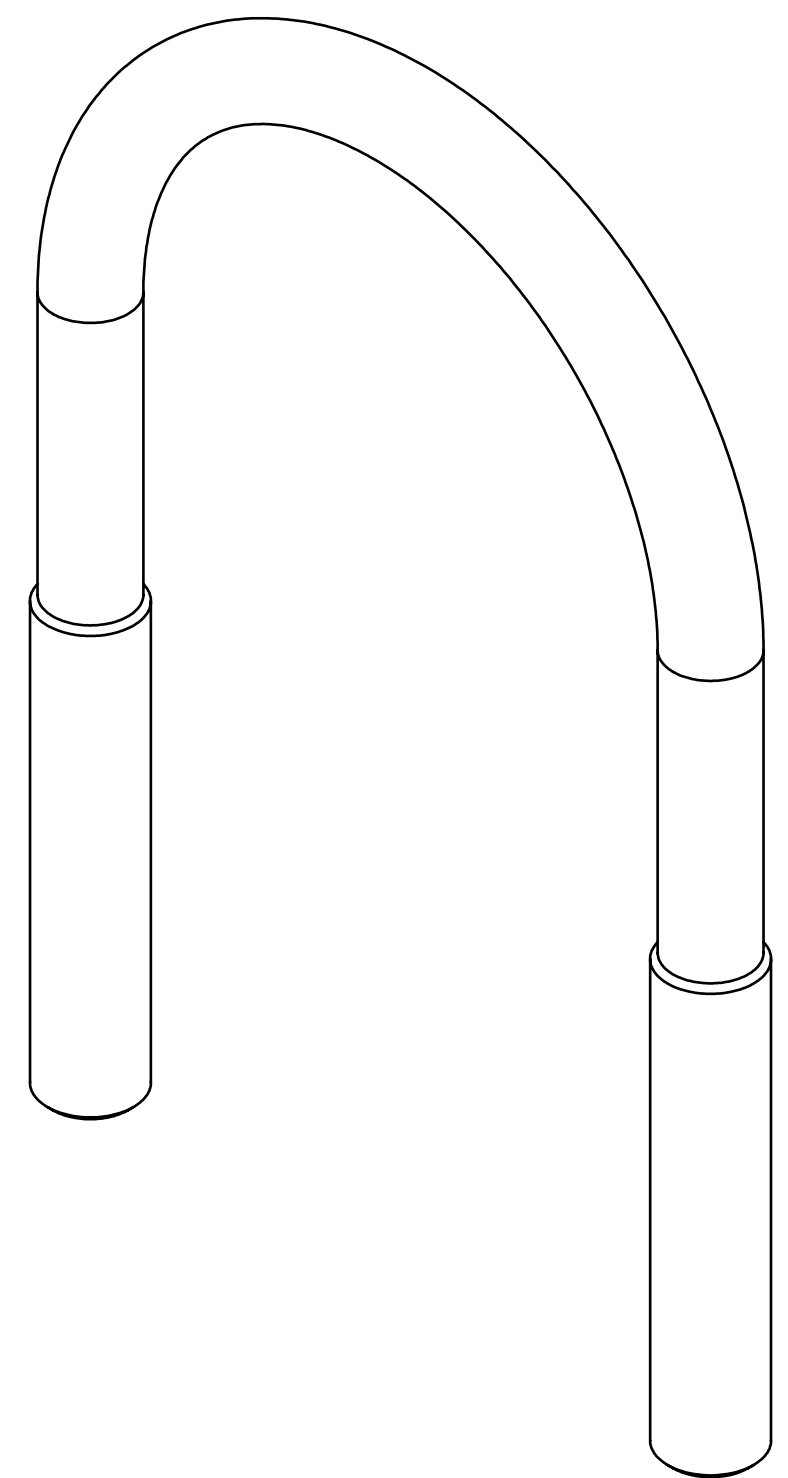
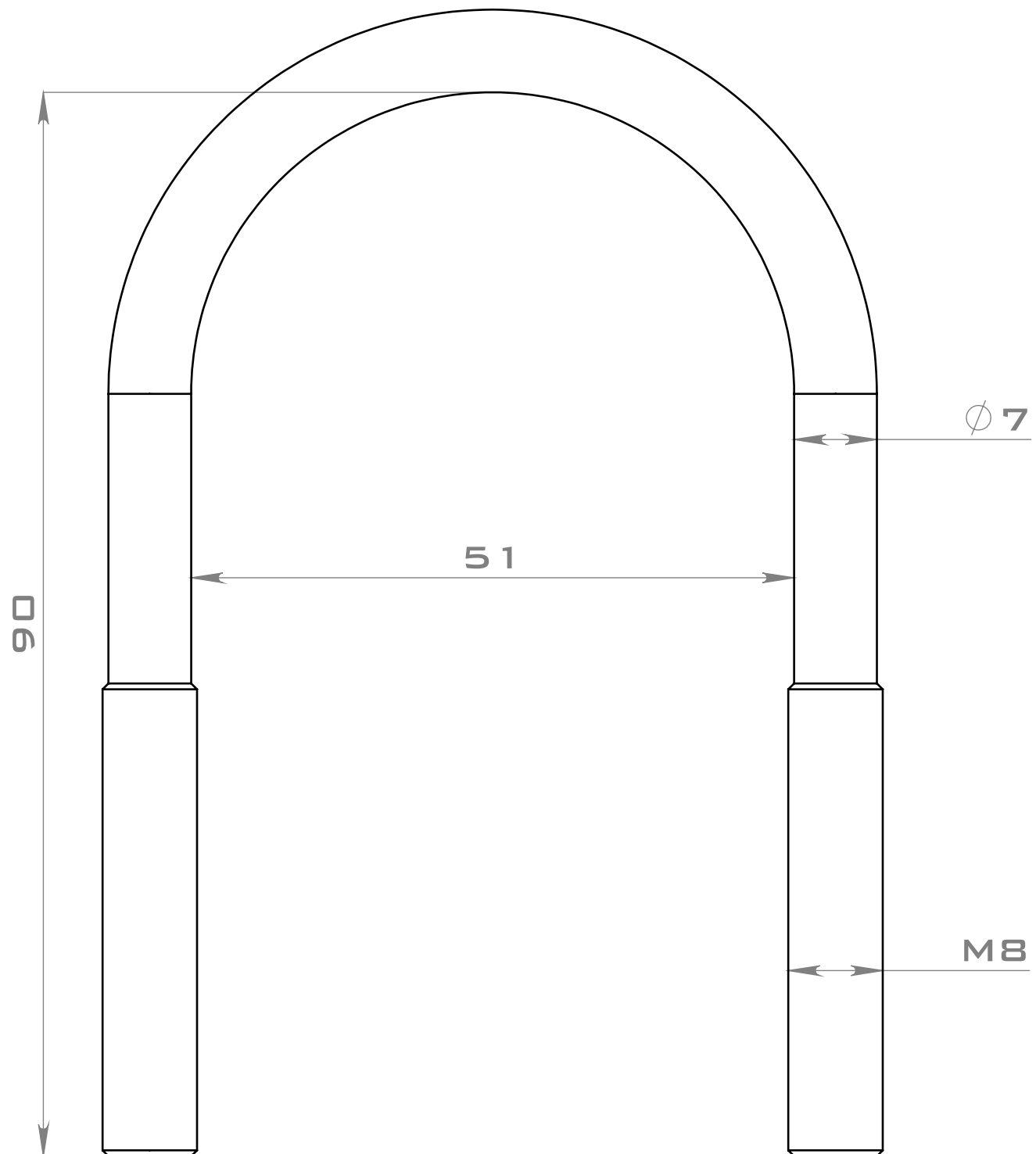


Линейни размери с непосочени допуски в mm					
ISO 2768-1	0.5-6	6-30	30-120	120-400	400-1000
<b>m</b>	±0.1	±0.2	±0.3	±0.5	±0.8
<b>Permissible deviations for basic size range /mm/</b>					



DRAWING NAME	<b>Hr.Zhulev</b>	FINISH DATE	<b>Wednesday, March 22, 2017</b>	<b>Note:</b>
MATERIAL:	1.4301 (X5CrNi18-10)	Weight:	0.07 kg.	
DWG NO.	70088-5		A2	