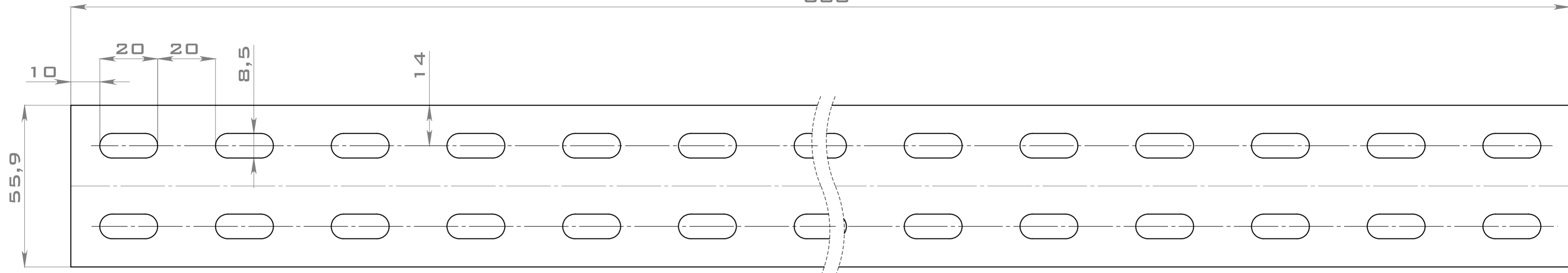
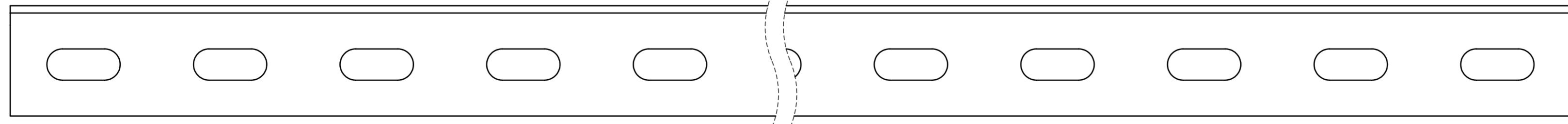
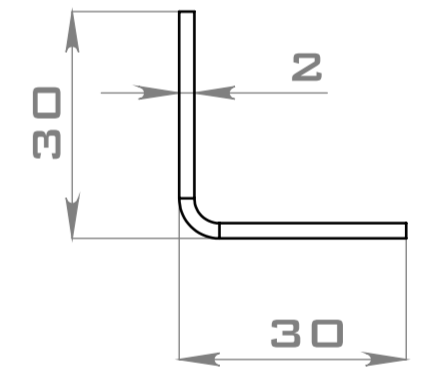
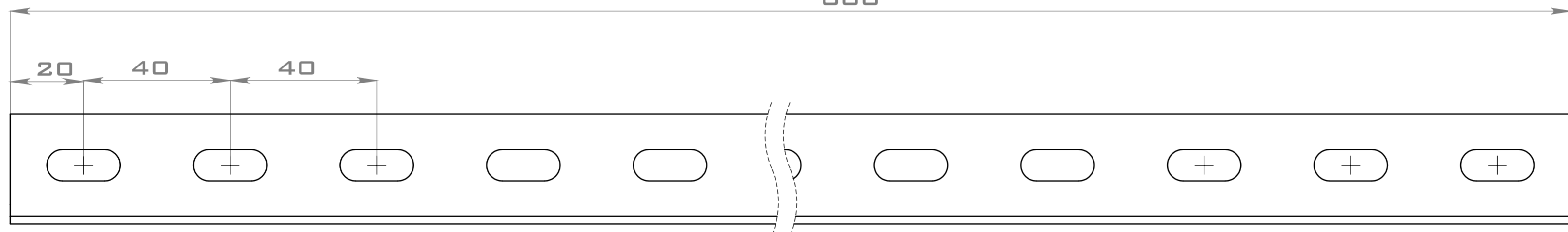


800



800



UNLESS OTHERWISE SPECIFIED: DIMENSIONS ARE IN MILLIMETERS		FINISH: DATE		DO NOT SCALE DRAWING		Area 84888.38mm. ²	
SURFACE FINISH:		Tuesday, February 21, 2012 4:21:09 PM		PROMEX			
TOLERANCES:							
LINEAR:				DRAWN: Velinov		SIGNATURE:	
ANGULAR:				CHK'D:			
				APPV'D:			
				MFG:			
				Q.A.:			
				MATERIAL:		DWG NO. 70069-800	
				AISI 304		SCALE: 1:5	
				WEIGHT: 0.62 kg.		SHEET 1 OF 1	