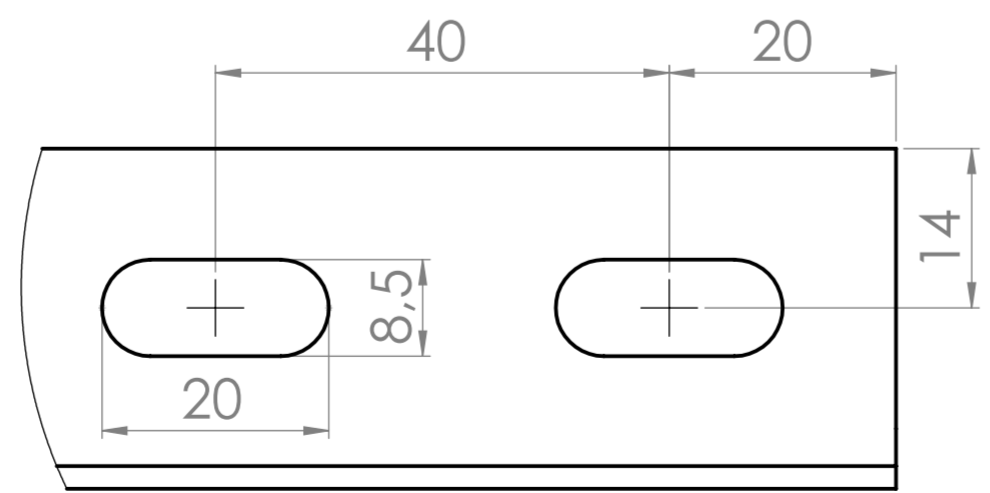
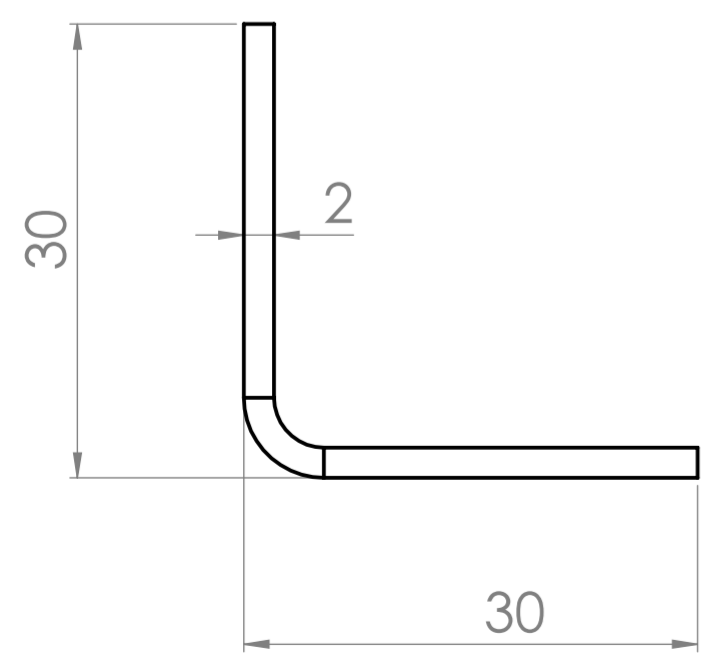
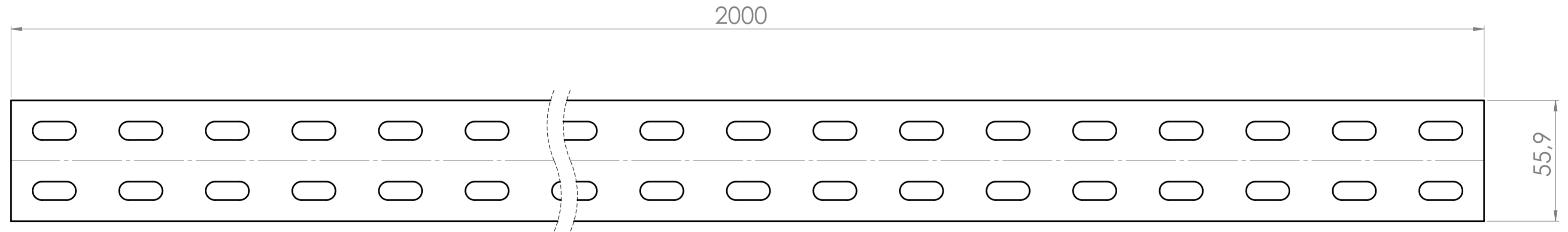
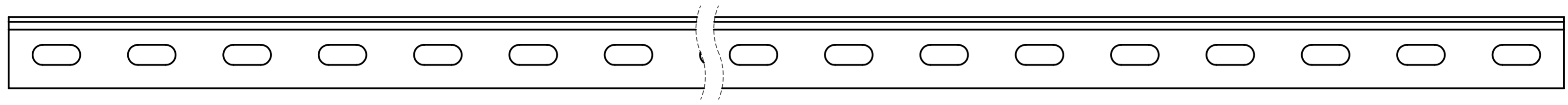
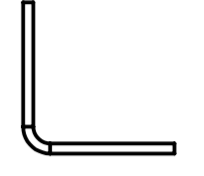
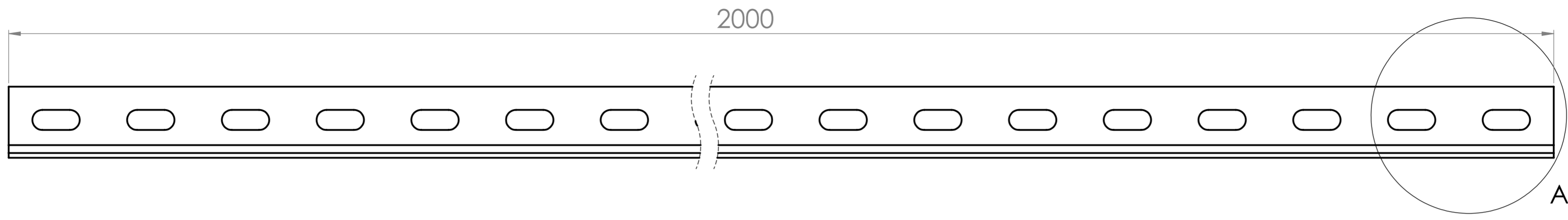


1 2 3 4 5 6 7 8 9 10 11 12

A B C D E F G H



DETAIL A
SCALE 1.5 : 1

WEIGHT: 1.55 kg.	FINISH:	DATE	Tuesday, November 12, 2013 9:49:37 AM
Area 211884,02mm. ²			Friday, February 17, 2017 12:31:05 PM
NAME	SIGNATURE	MATERIAL:	
	<i>Velinov</i>	AISI 304	PROMEX
DWG NO.		70069-2020	