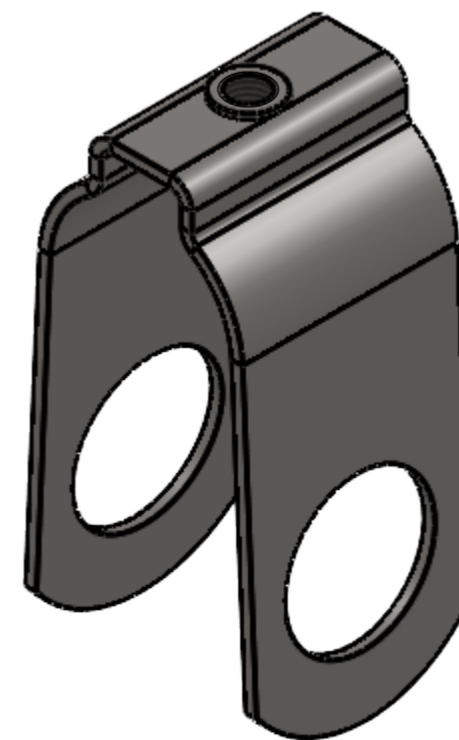
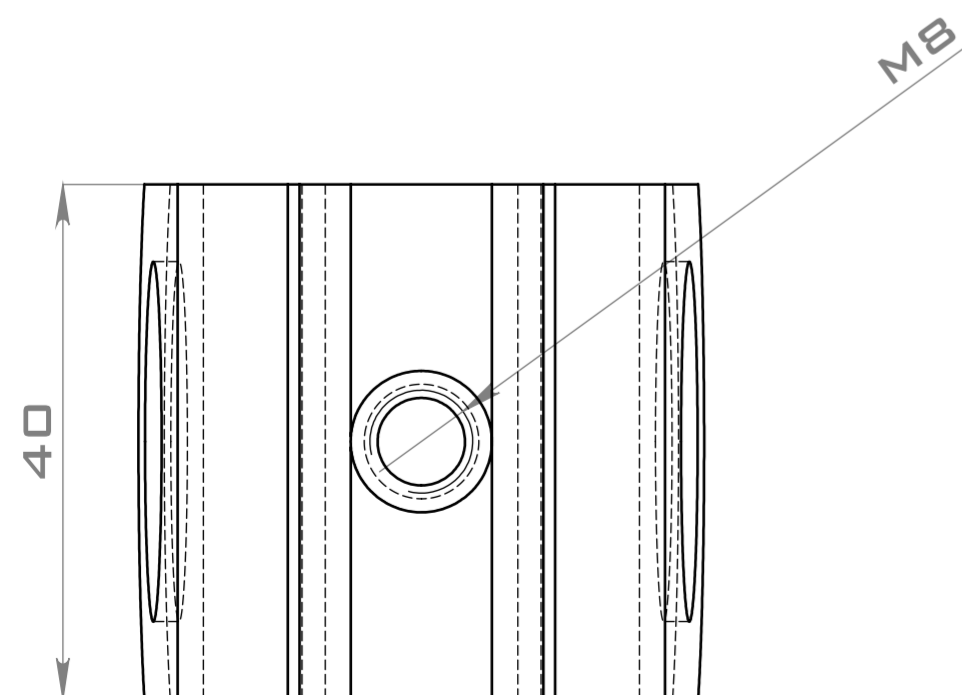
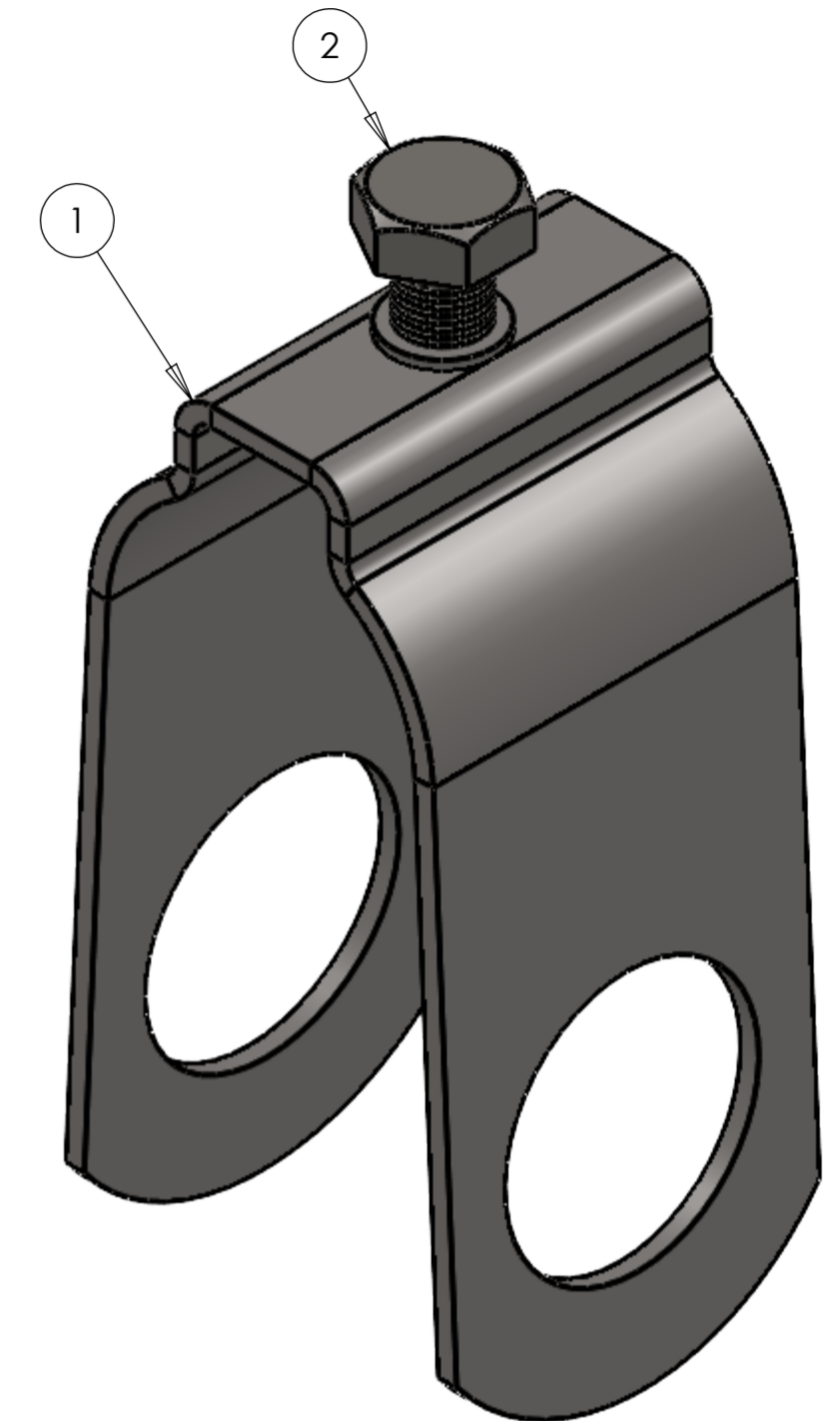
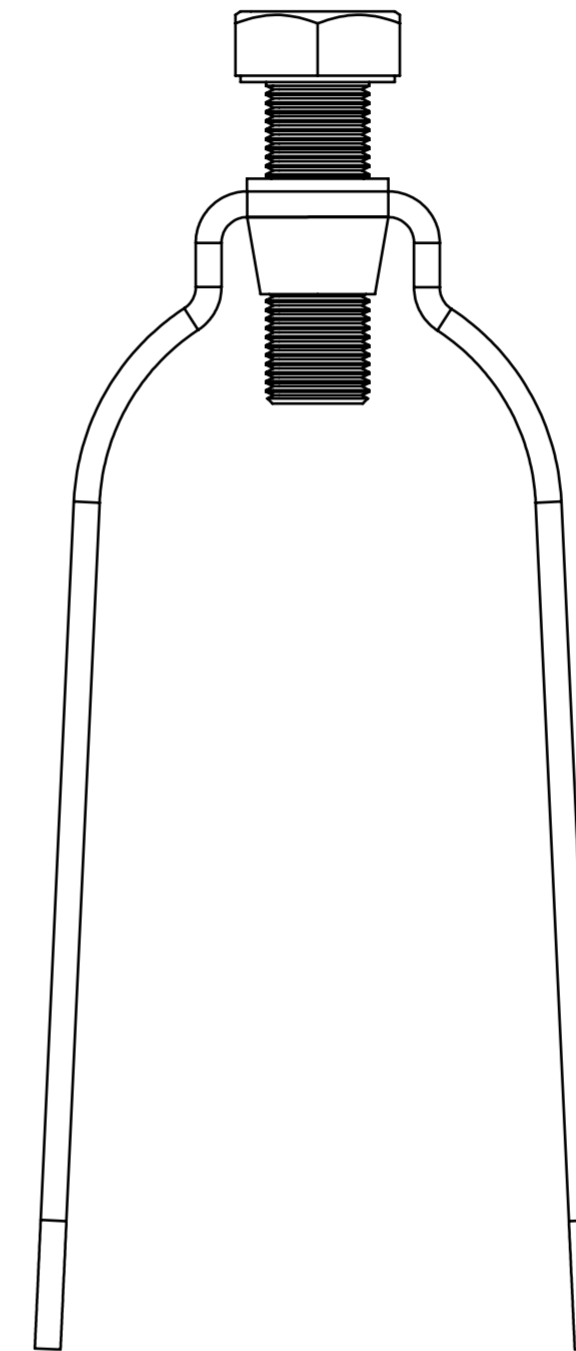
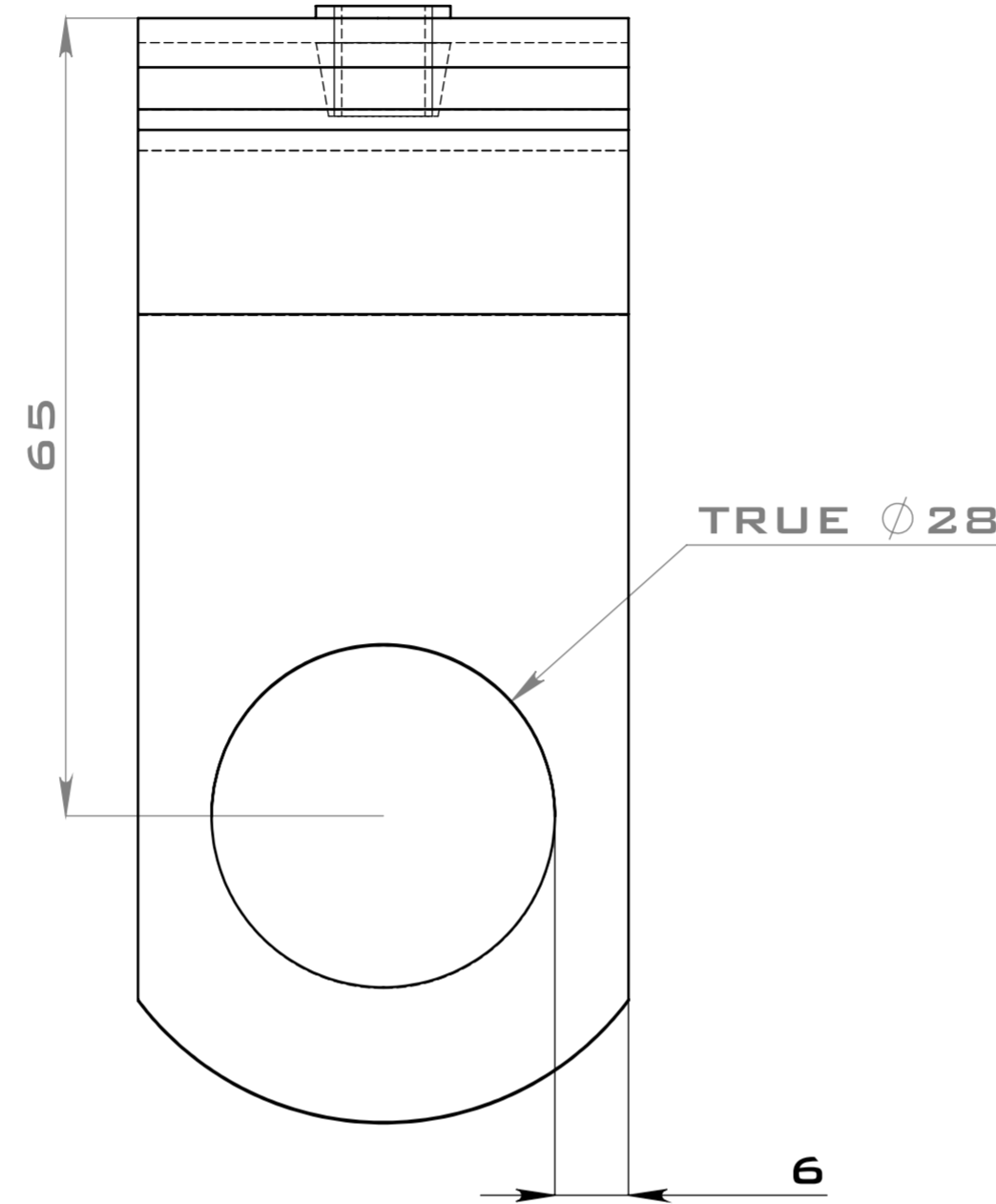
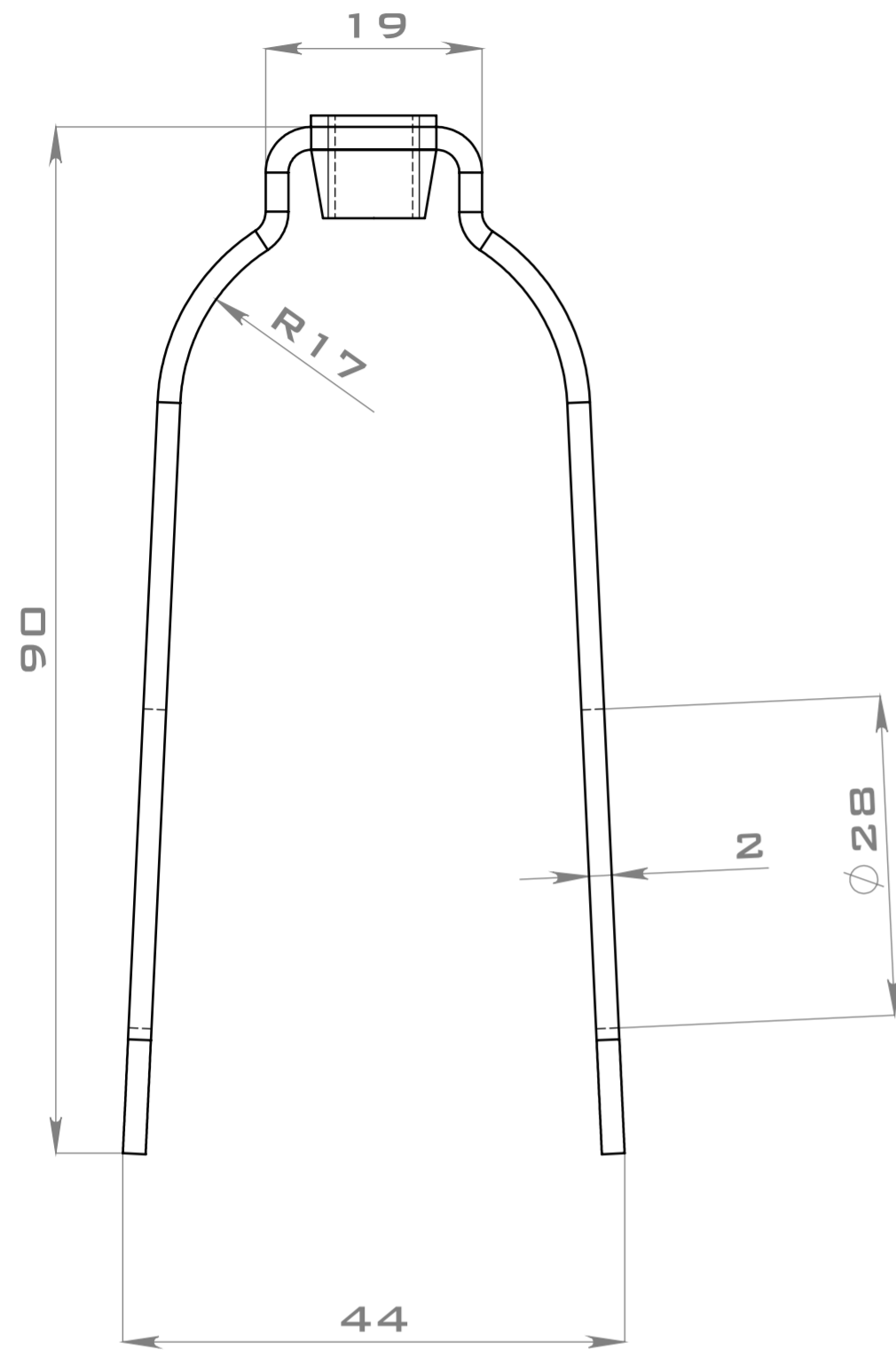


ISO 2768-1	0.5-6	6-30	30-120	120-400	400-1000
m	±0.1	±0.2	±0.3	±0.5	±0.8

Permissible deviations for basic size range /mm/

ITEM NO.	PART NUMBER	QTY.
1	70019-3	1
2	DIN 933 A4 M8x25	1



DRAWN NAME	FINISH DATE	Note:
Hr.Zhulev	Thursday, 12 November 2020	
MATERIAL:	Weight:	
X5CrNi18-10	kg.	Area
DWG NO.	70019-3	