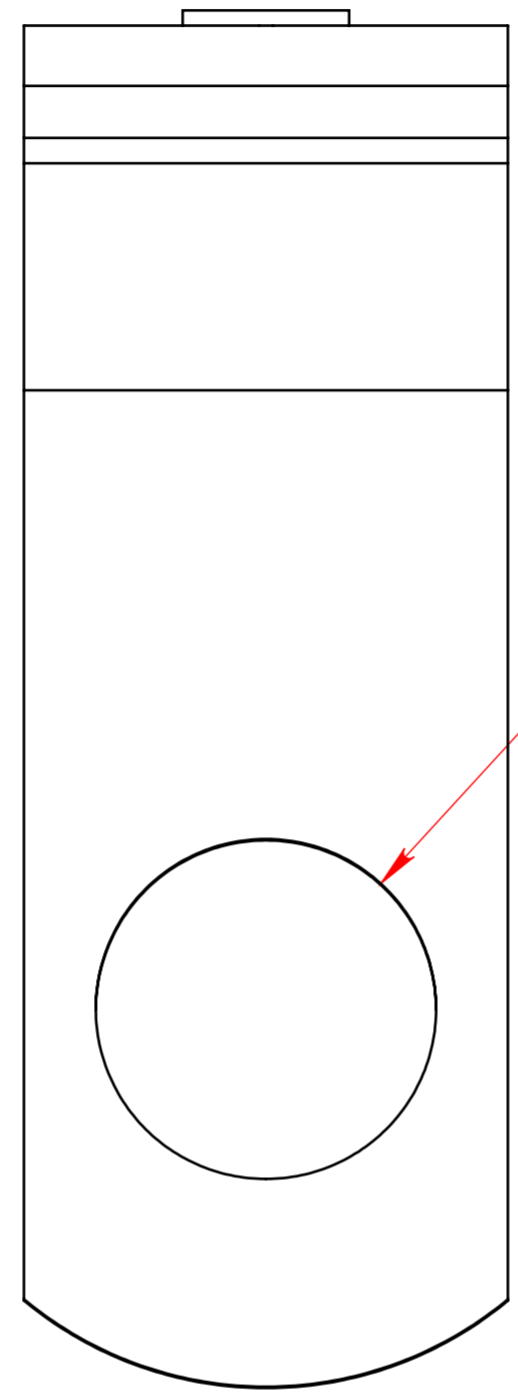
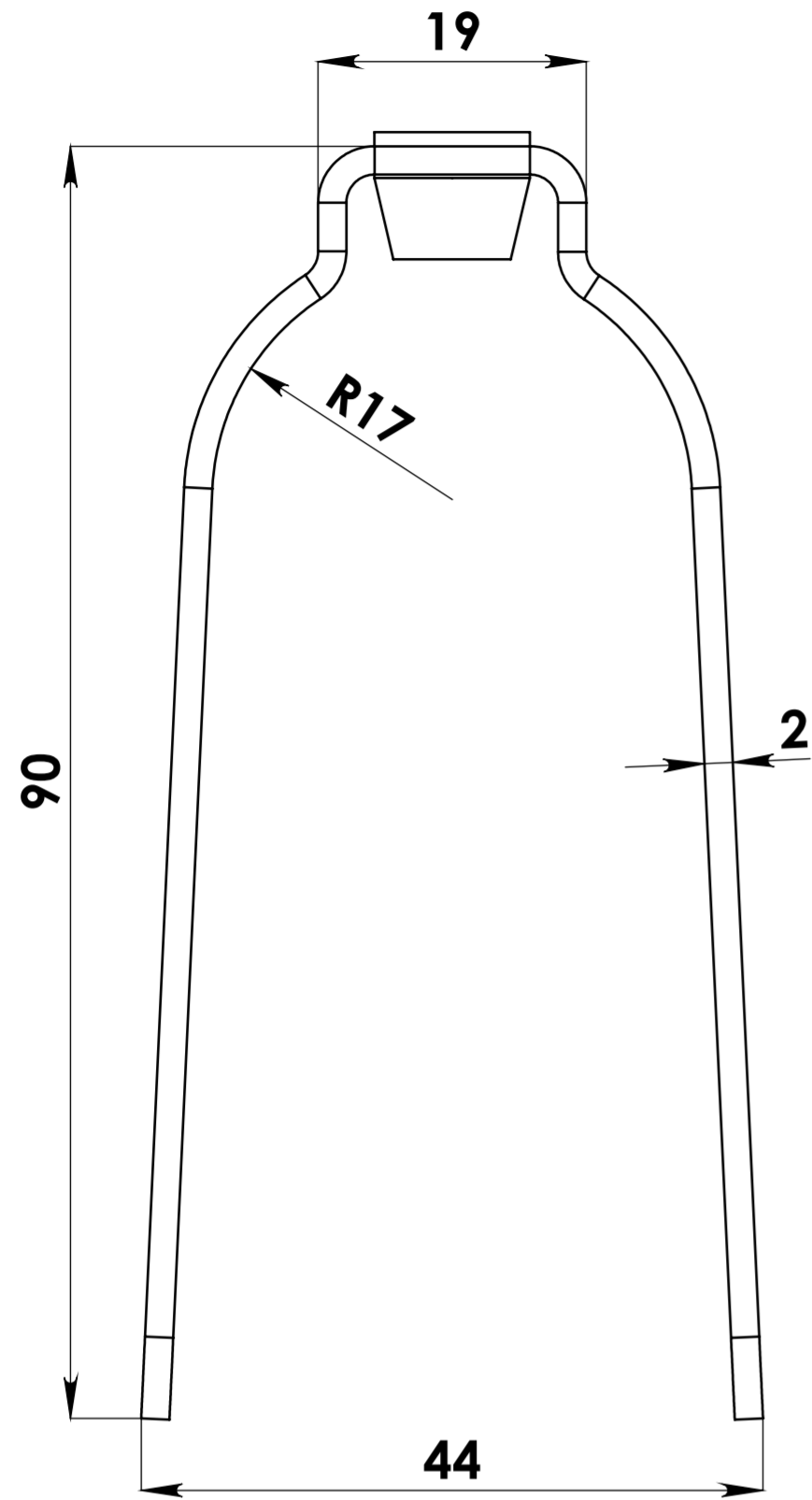


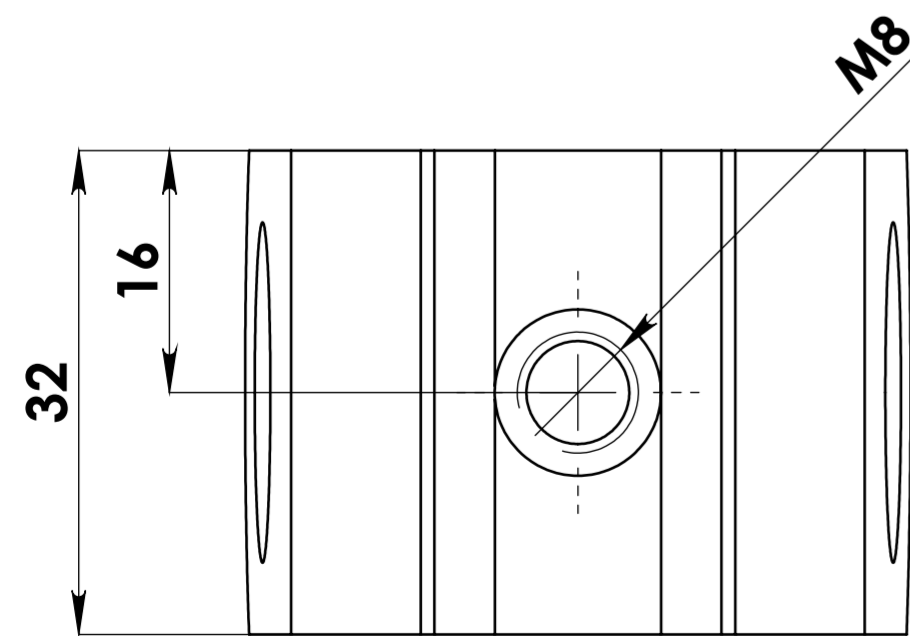
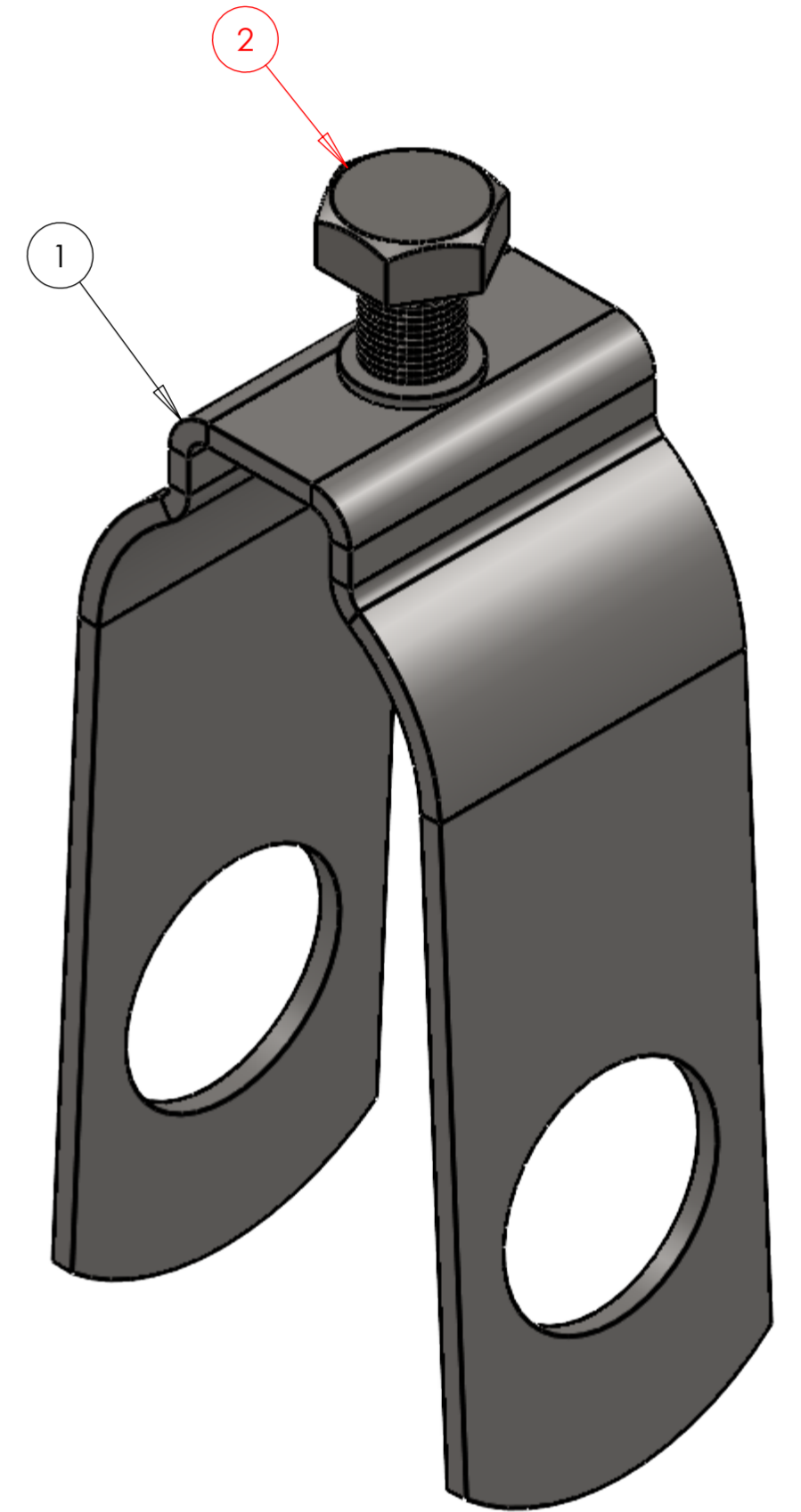
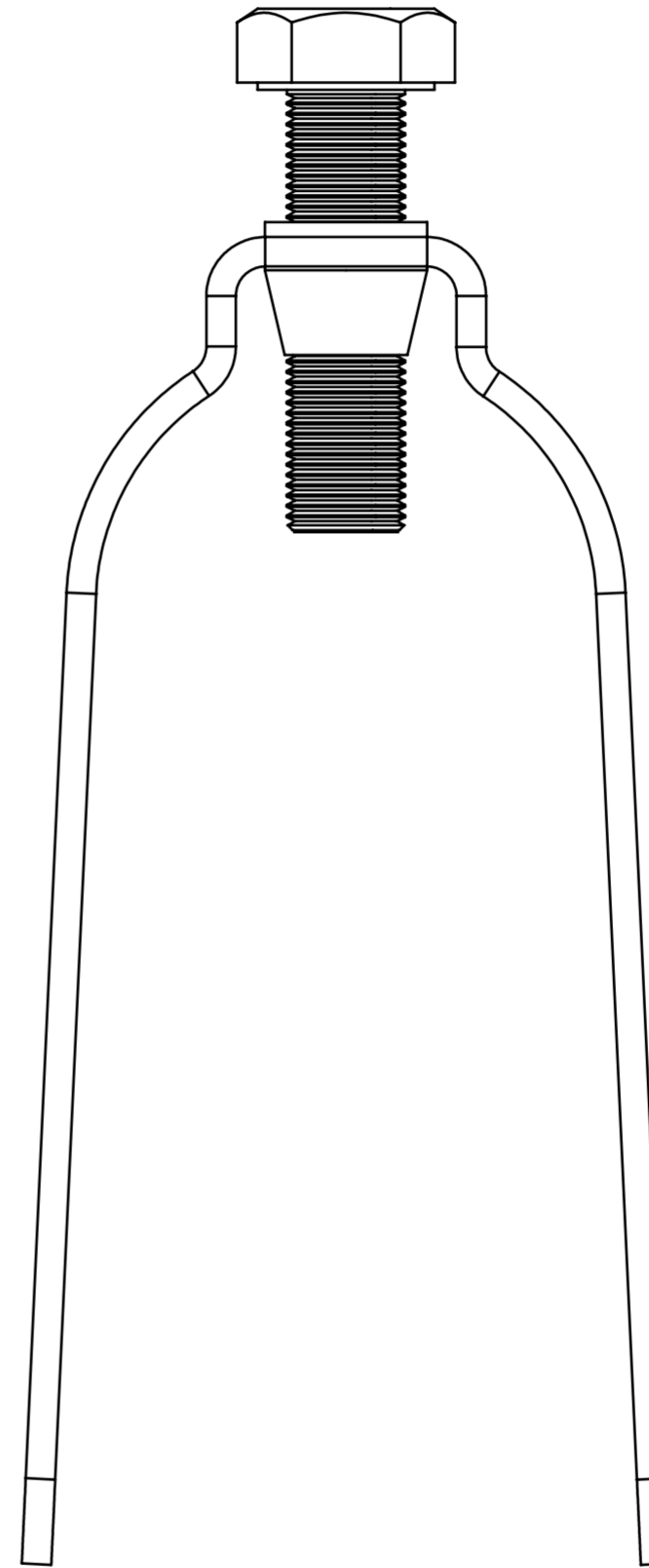
ISO 2768-1	0.5-6	6-30	30-120	120-400	400-1000
m	±0.1	±0.2	±0.3	±0.5	±0.8

Permissible deviations for basic size range /mm/

ITEM NO.	PART NUMBER	QTY.
1	70019-2	1
2	DIN 933 A2 M8x30	1



TRUE Ø 22,50



rev.20.10.2021

DRAWN NAME	Hr.Zhulev	FINISH DATE	Monday, 31 May 2021	Note:
MATERIAL:	1.4301/X5CrNi18-10	Weight:	kg.	Area
DWG NO.	70019-2			