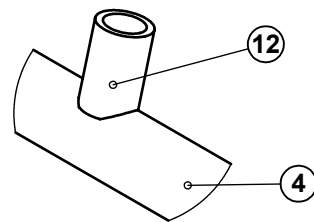
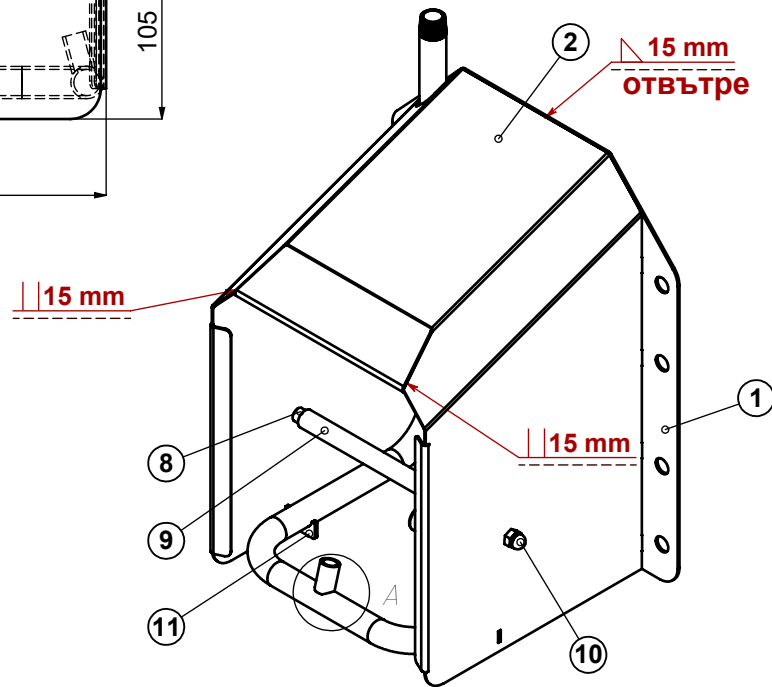


зъбите на гърба се разливат



DETAIL A



ITEM NO.	PART NUMBER	QTY.
1	50517-0001	1
2	50517-0002	1
3	50517-0003	2
4	50517-0004	1
6	50517-0005	1
7	50517-0006	1
8	50517-0007	1
9	50517-0008	1
10	nut-M8-DIN1587	2
11	50617-5-0024	2
12	50517-0011	2
13	50517-0012	1

15-Sep-21

PROMEX

Tolerance	Tolerances / mm / for a nominal size DIN ISO 13920							NAME	mat.	№
	2 to 30	30 to 120	120 to 400	400 to 1000	1000 to 2000	2000 to 4000	4000 to 8000			
B	±1	±2	±2	±3	±4	±6	±8	Velinov	AISI 304	50517

WEIGHT: 5.909 kg / Date of creation: 26-Oct-20 12:32:11
 Appr.: 870519.900 / Date of change: 15-Sep-21 11:08:56