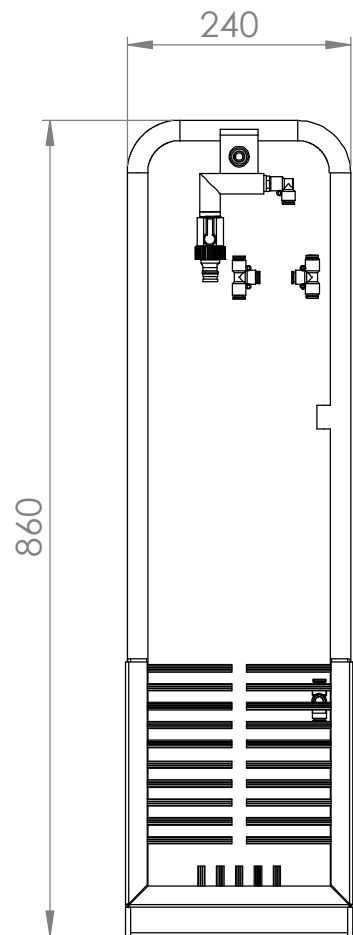
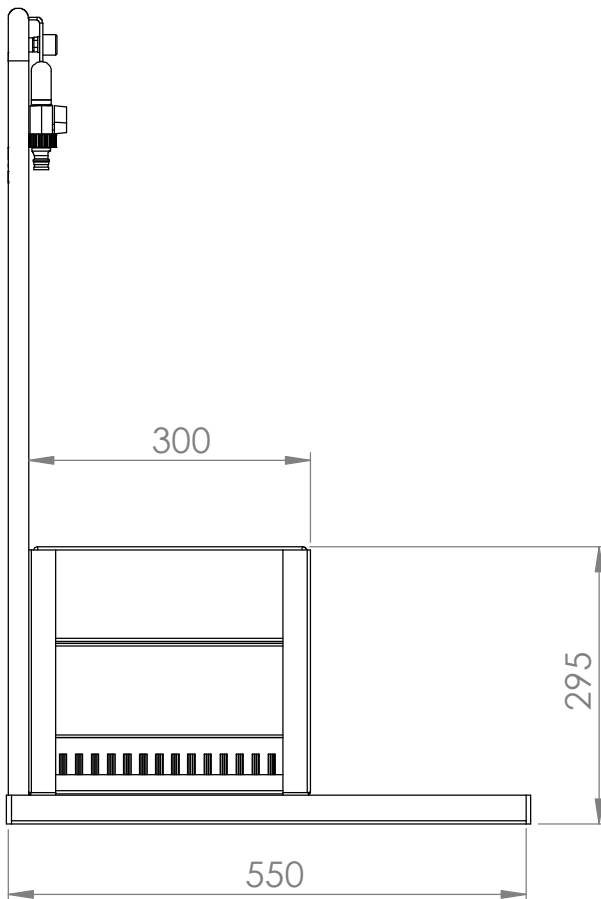
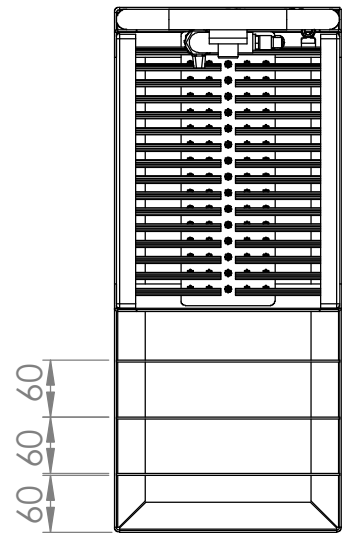
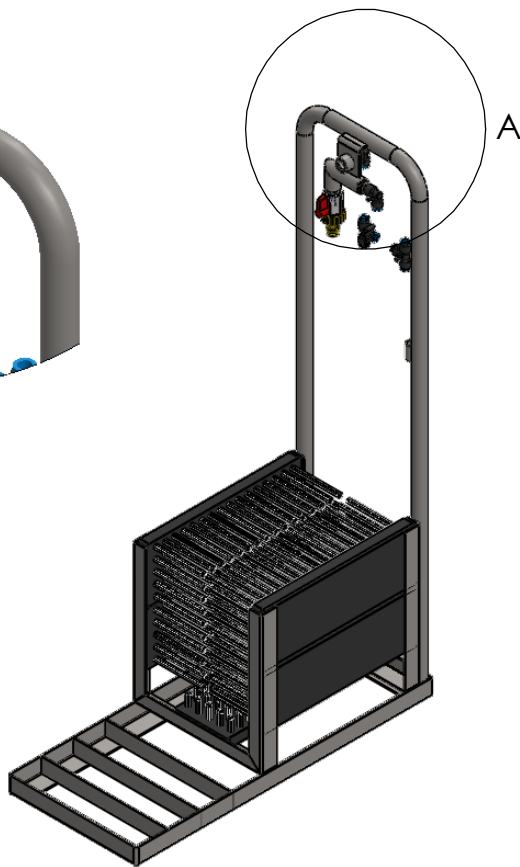
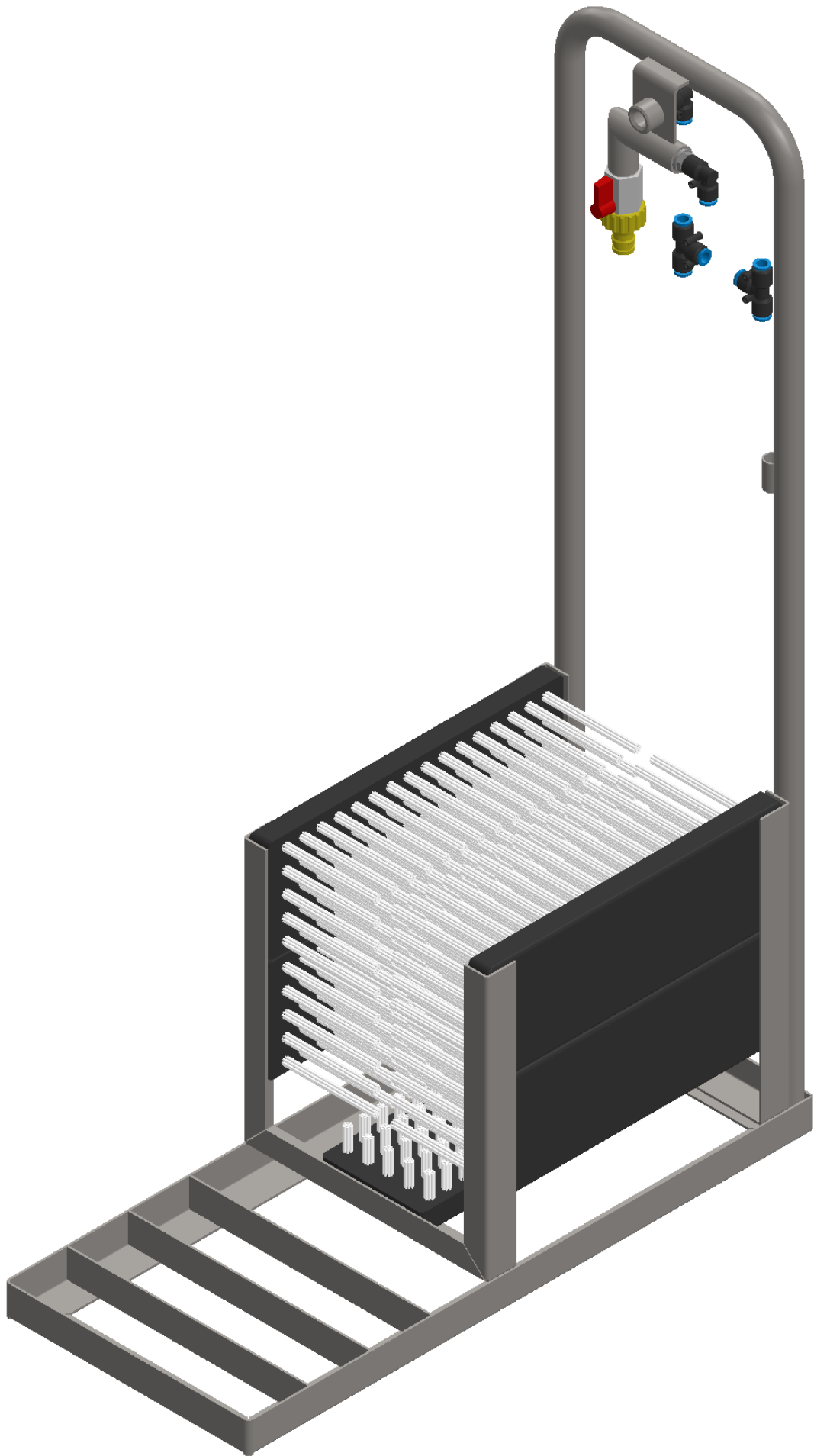


DETAIL A
SCALE 1 : 4



DATE DRAWN	07.04.2014	MATERIAL:		PART NAME:	50514	
1st revision		Total Net weight:		NOTES:		
2nd revision						
3rd revision						
Last revision				SCALE: 1:10	PAGE 1 / 2	A4



DATE DRAWN		MATERIAL:		PART NAME:	50514	
1st revision		Total Net weight:	gr	NOTES:		
2nd revision						
3rd revision						
Last revision				SCALE: 1:10	PAGE 2 / 2	A4