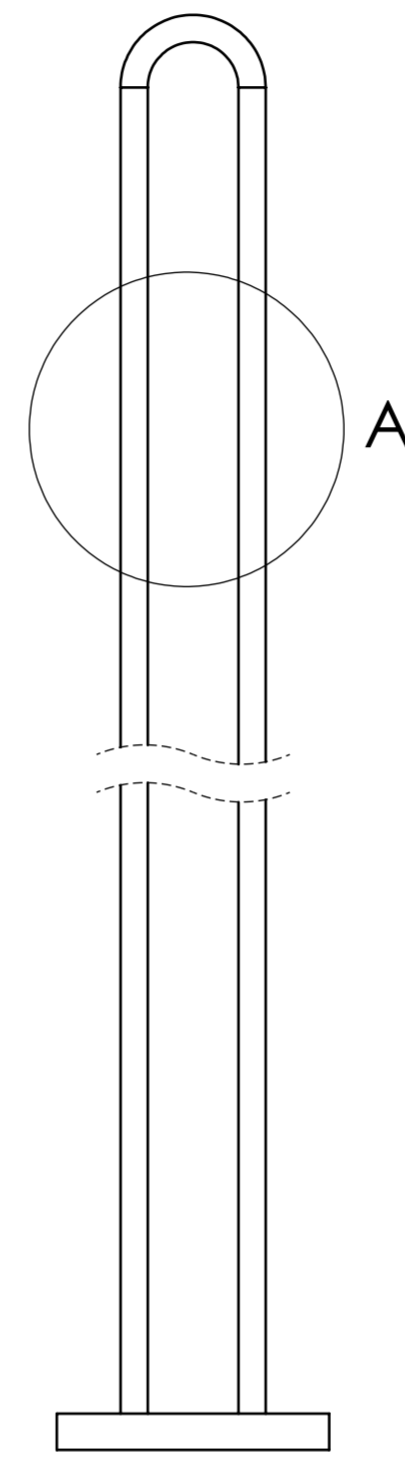
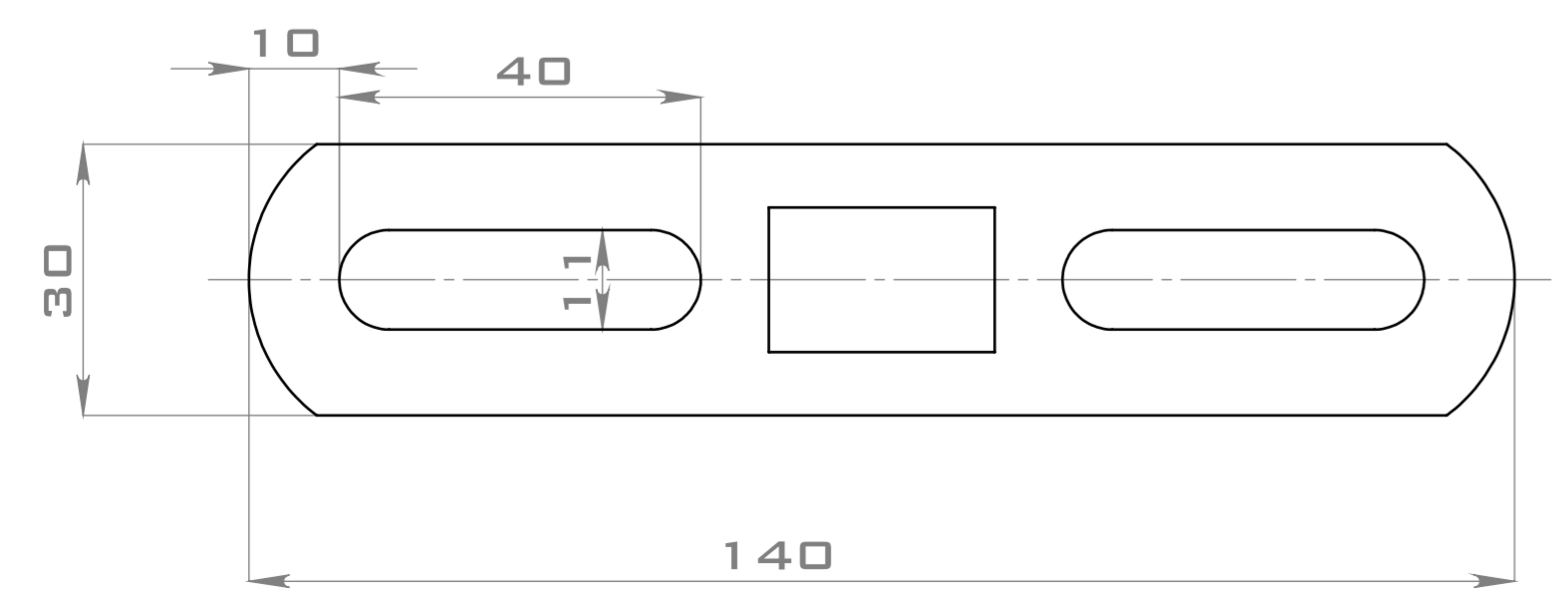
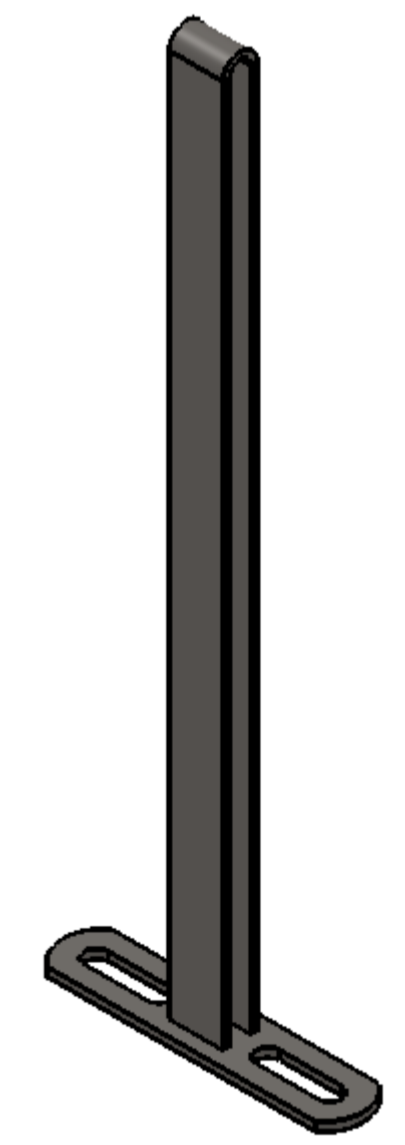
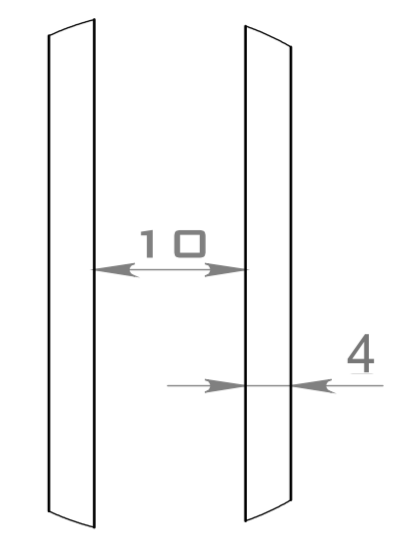


L: 150, 250, 400, 500, 600



DETAIL A
SCALE 2:1



UNLESS OTHERWISE SPECIFIED: DIMENSIONS ARE IN MILLIMETERS		FINISH: DATE		DO NOT SCALE DRAWING		Area 53689.06	
SURFACE FINISH:		08 май 2012 г. 15:31:47		PROMEX			
TOLERANCES:							
LINEAR:				DRAWN: Velinov		SIGNATURE:	
ANGULAR:				CHK'D:			
				APP'VD:			
				MFG:			
				Q.A:			
				MATERIAL:		DWG NO. 50415 - 50460	
				Material <not specified>			
				WEIGHT: 0.59 kg.		SCALE: 1:2	
						SHEET 1 OF 1	