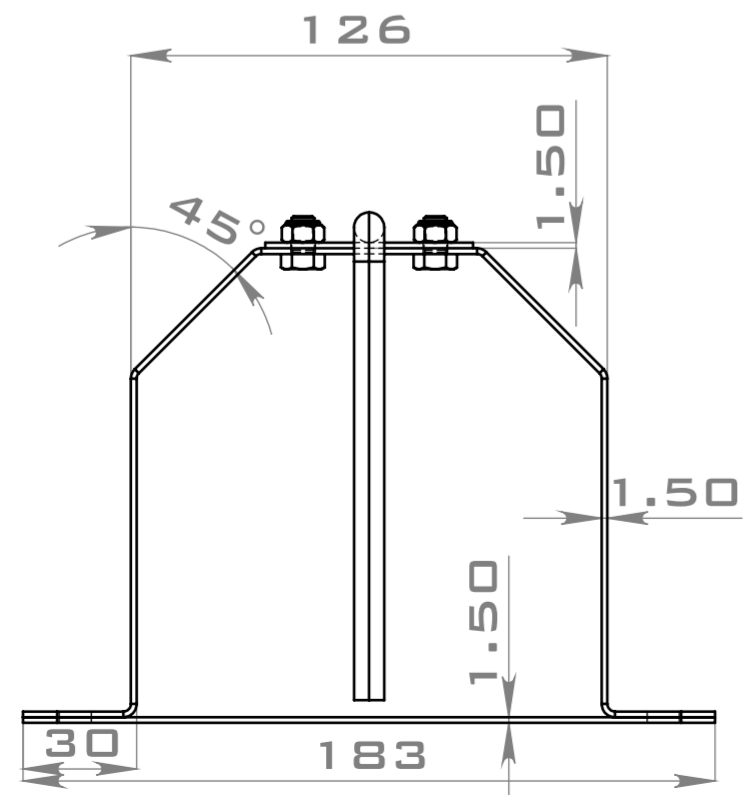
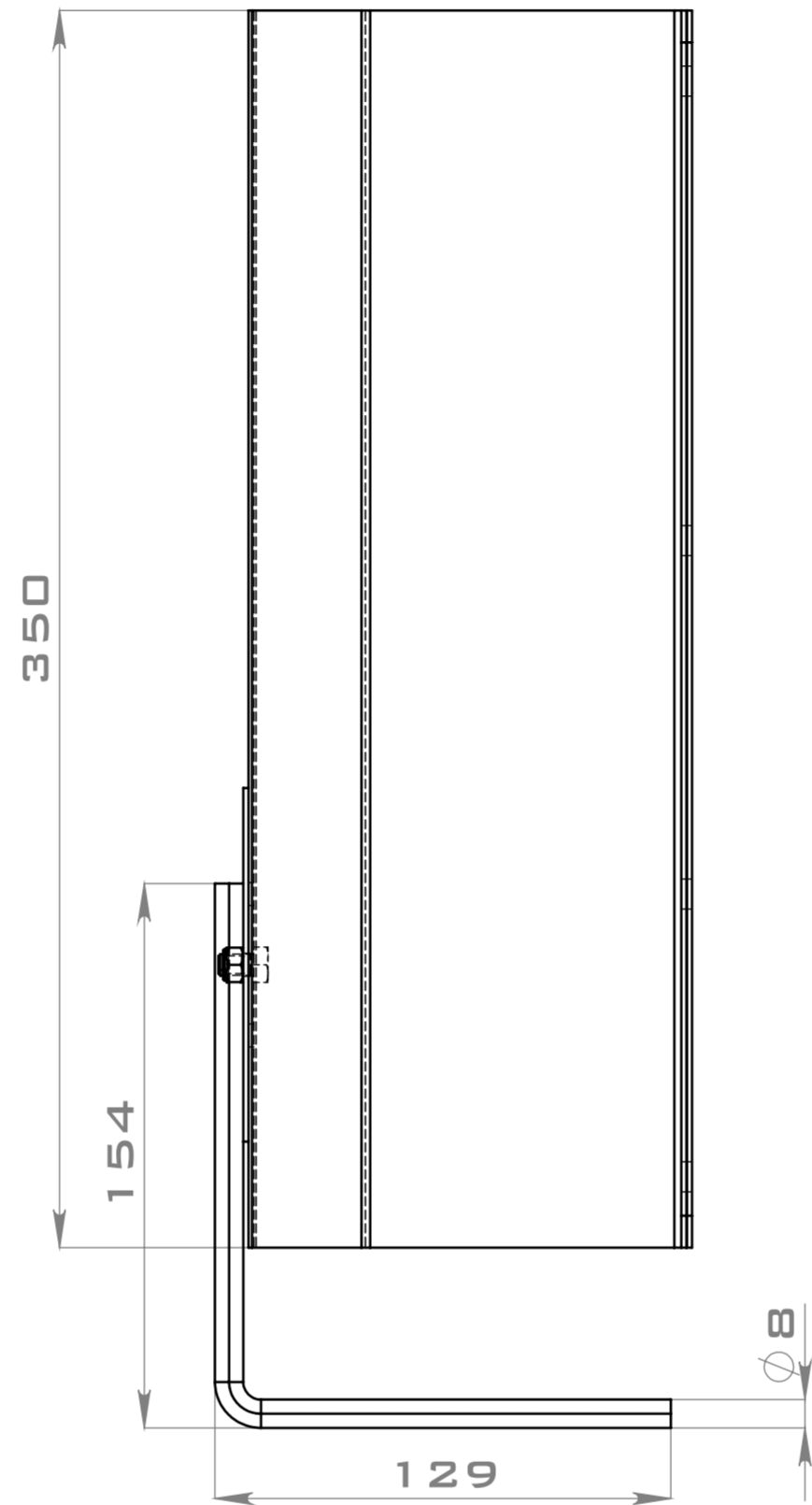
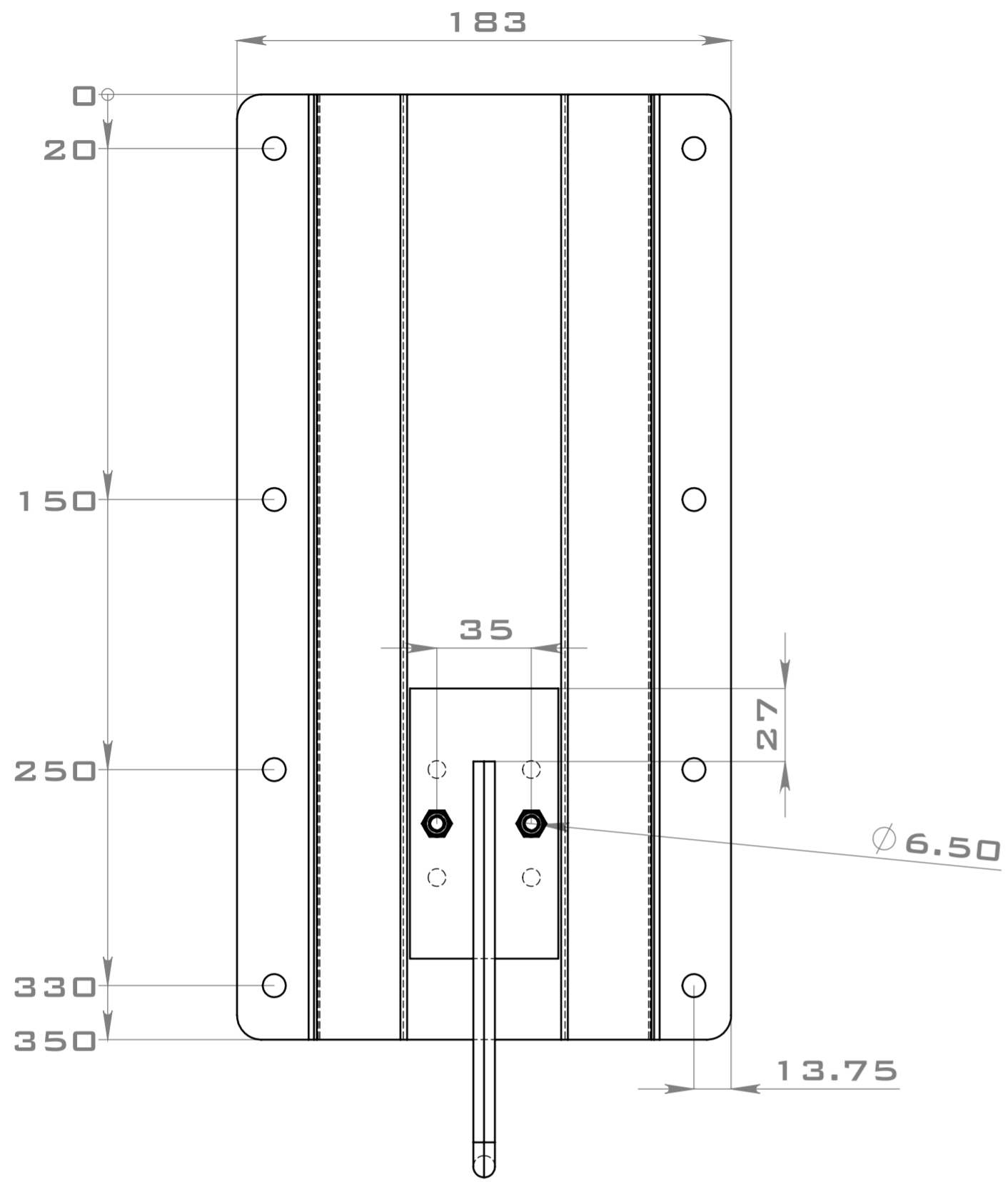


50421-1



ITEM NO.	PART NUMBER	DESCRIPTION	QTY.
1	20112014-1555-002		1
2	20112014-1555-001		1
3	20112014-1555-003		1
4	20112014-1555-004		1
5	M6x10 DIN 93 A2		2
6	M6 DIN 985 A2		2

FINISH: Monday, November 24, 2014
 DRAWN: Hr.Zhulev
 MATERIAL: Weight: kg.
Note:
 DWG NO.



50421-1