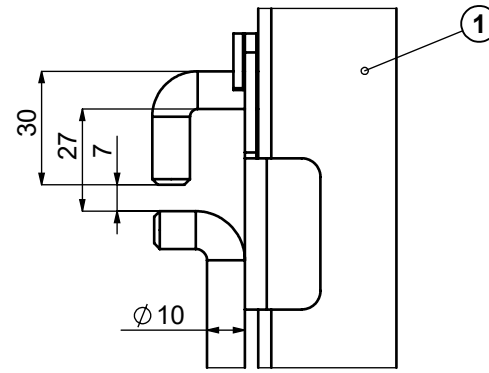
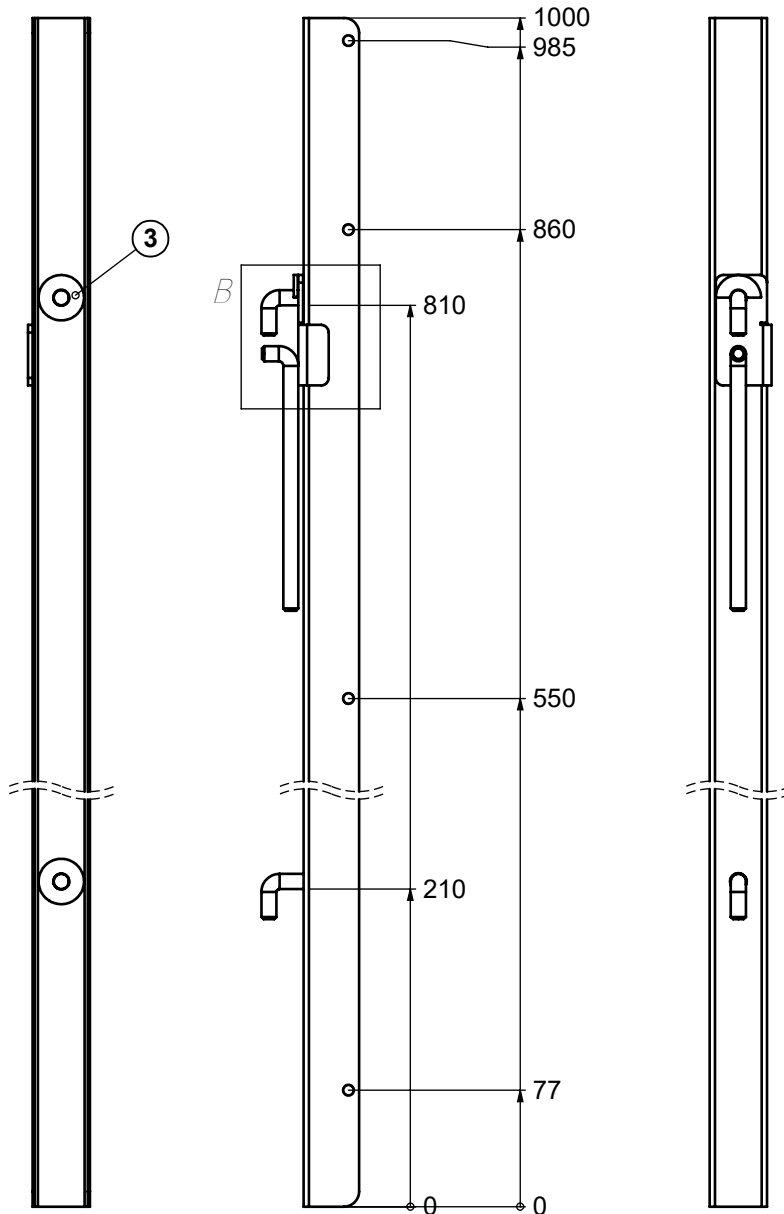
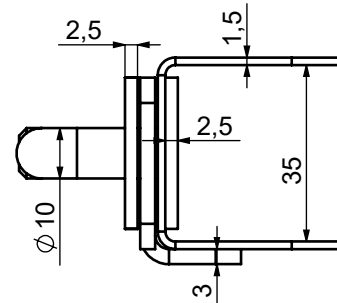


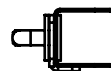
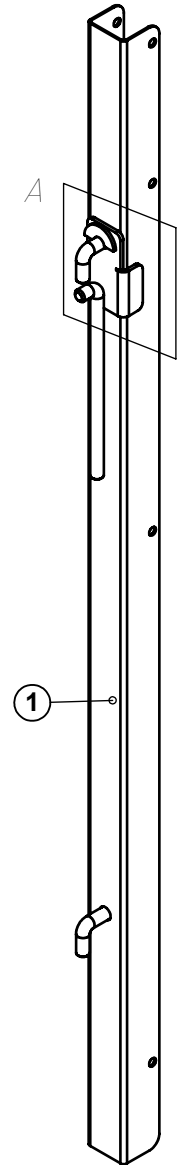
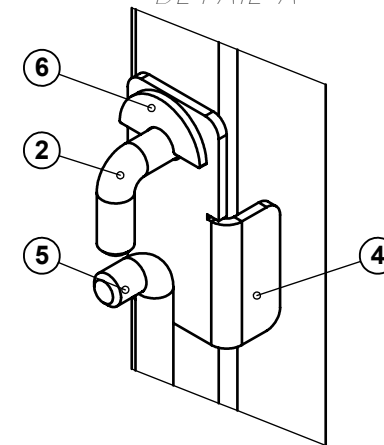
ITEM NO.	PART NUMBER	QTY.
1	1353004-0001	1
2	1355601-0002	2
3	1355601-0005	2
4	1355602-0004	1
5	1355601-0003	1
6	1355601-0006	1



DETAIL B



DETAIL A



14-Dec-20

PROMEX

Tolerance	Допустимы отклонения в / мм / за номинальный размер. DIN ISO 2768-11(1991-06)								NAME	mat.
	Tolerances / mm / for a nominal size. DIN ISO 2768-11(1991-06)									
	0,5 to 3	from 3 to 6	from 6 to 30	from 30 to 120	from 120 to 400	from 400 to 1000	from 1000 to 2000	from 2000 to 4000	Velinov	AISI 304
m (medium)	+ - 0,1	+ - 0,1	+ - 0,2	+ - 0,3	+ - 0,5	+ - 0,8	+ - 1,2	+ - 2	№ 33100-1000-07	

WEIGHT 1,544 kg
Area 234,380,308
Date of creation 14-Dec-20 13:28:45
Date of change 14-Dec-20 13:42:11