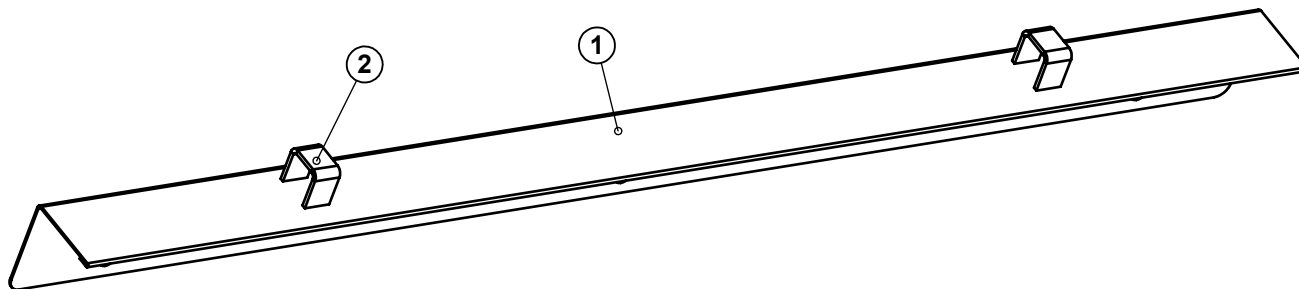
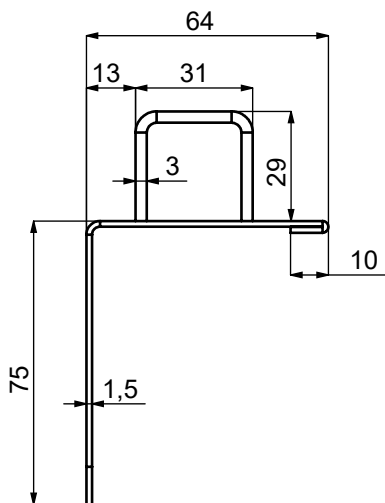


ITEM NO.	PART NUMBER	QTY.
1	33100-1000-04-0001	1
2	33100-1000-04-0002	2



05-Nov-20

PROMEX

Tolerance	Допустимы отклонения в % от номинального размера DIN ISO 2768-1(1991-06)							WEIGHT 1.820 kg	Date of creation 05-Nov-20 14:15:37
	Tolerances / mm / for a nominal size DIN ISO 13920								
	2 to 30	30 to 120	120 to 400	400 to 1000	1000 to 2000	2000 to 4000	4000 to 8000	NAME	mat.
B	±1	±2	±2	±3	±4	±6	±8	Velinov	AISI 304
								No	33100-1000-04