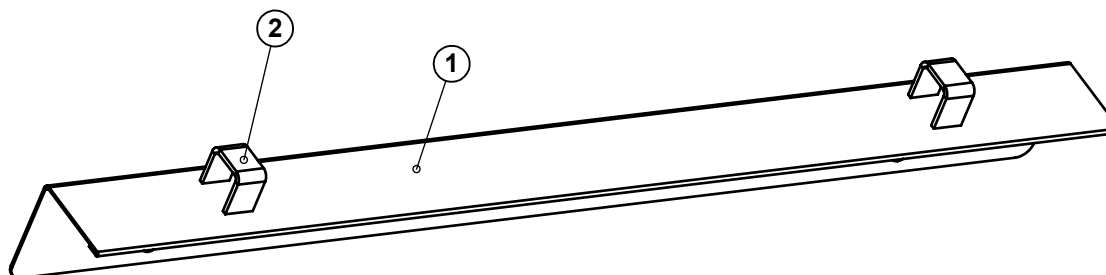
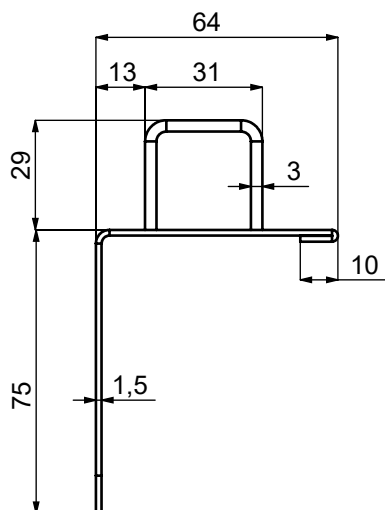


ITEM NO.	PART NUMBER	QTY.
1	3310-075-4-0001	1
2	3310-100-4-0002	2



18-Dec-20

PROMEX

Tolerance	Допустимы отклонения в / мм / за номинальный размер DIN ISO 2768-1(1991-06)							WEIGHT 1.384 kg	Date of creation 10-Dec-20 8:28:50
	Tolerances / mm / for a nominal size DIN ISO 13920								
	2 to 30	30 to 120	120 to 400	400 to 1000	1000 to 2000	2000 to 4000	4000 to 8000	NAME Velinov	mat. AISI 304
B	±1	±2	±2	±3	±4	±6	±8	№ 3310-075-4	