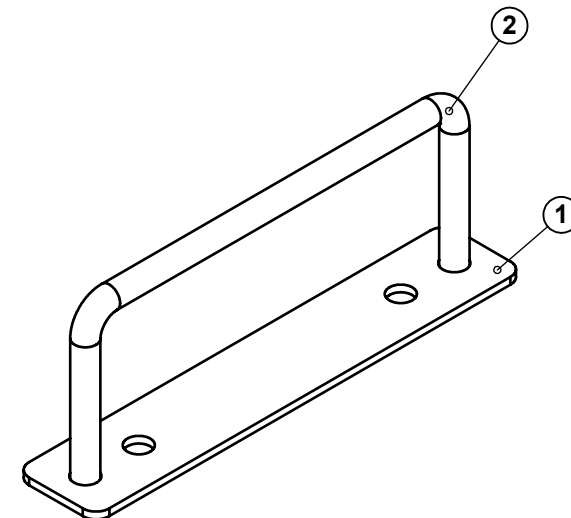
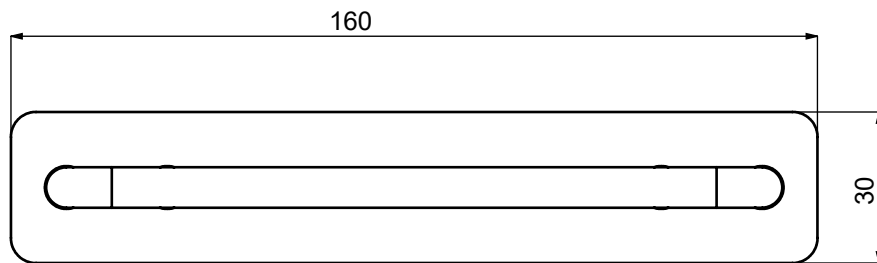
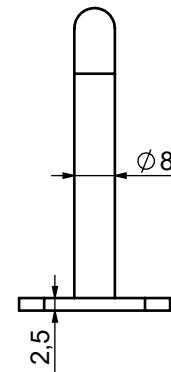
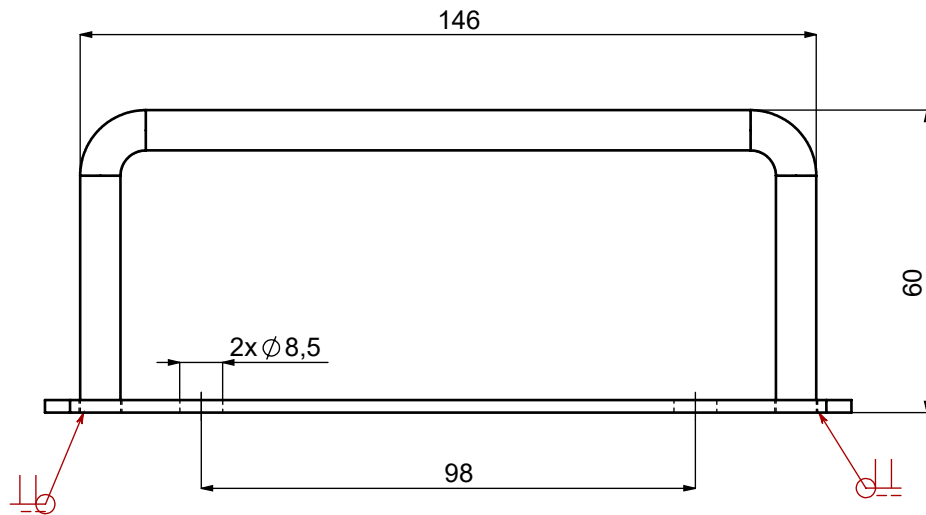


ITEM NO.	PART NUMBER	QTY.
1	3310-01-0001	1
2	3310-01-0002	1



22-Dec-20

PROMEX

Tolerance	Tolerances / mm / for a nominal size DIN ISO 13920							NAME	mat.	№
	2 to 30	30 to 120	120 to 400	400 to 1000	1000 to 2000	2000 to 4000	4000 to 8000			
<b>B</b>	±1	±2	±2	±3	±4	±6	±8	Velinov	AISI 304	3310-01

WEIGHT 0,188 kg Date of creation 26-Nov-20 8:57:33  
 Appr. 16488244 Date of change 22-Dec-20 13:42:29