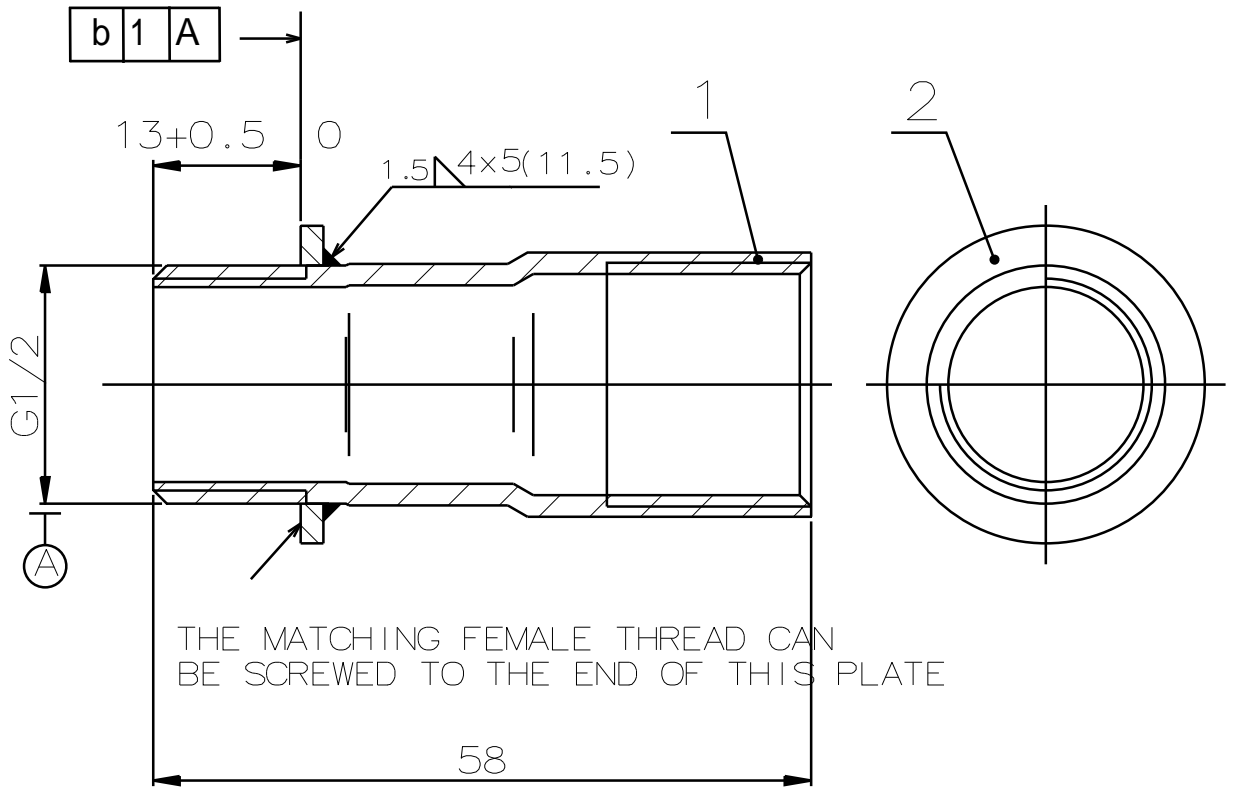


INDEX NO. 08-026

REVISIONS				
DATE	ISSUE	CHANGED INDEX NO.	DESCRIPTION	CHANGE NO.
	A			



NOTES

- 1 WELDING PLACES TO BE FASTNESS
- 2 REMOVE BLACK SPOTS

TRIAL-PRODUCE
PRODUCE AFFIRM

POS NO.	INDEX NO.	PART NAME	MATERIAL	QTY	REMARK
2	08-026-102	WASHER	304	1	
1	08-026-101	TUBE	301 WELDING TUBE	1	

DESIGN		MATERIAL		MONOFLO	
CHD				TITLE	
AUDIT				TIE	
APPROVAL		SCALE	1.5:1	PART NO.	
		SHEET / OF CUSTOMER ISSUE		1196-30	
				NO	