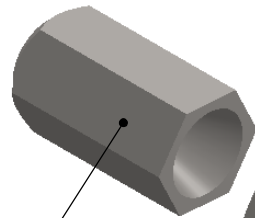
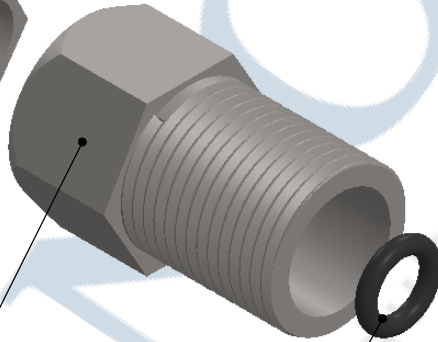


**10092-15-02**



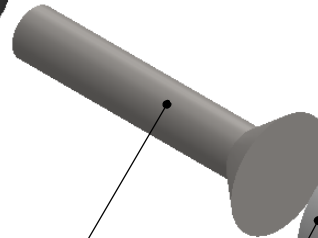
**10092-15-01**



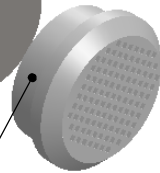
**10090-55**



**10092-15-03**



**10090-22**



DATE DRAWN	<b>12.12.2019</b>	MATERIAL:	<b>AISI 304</b>	PART NAME:	<b>10092-15</b>	
1st revision		Total Net weight:		NOTES:		
2nd revision				SCALE: 2:1		
3rd revision				PAGE 1 / 1		A4
Last revision						