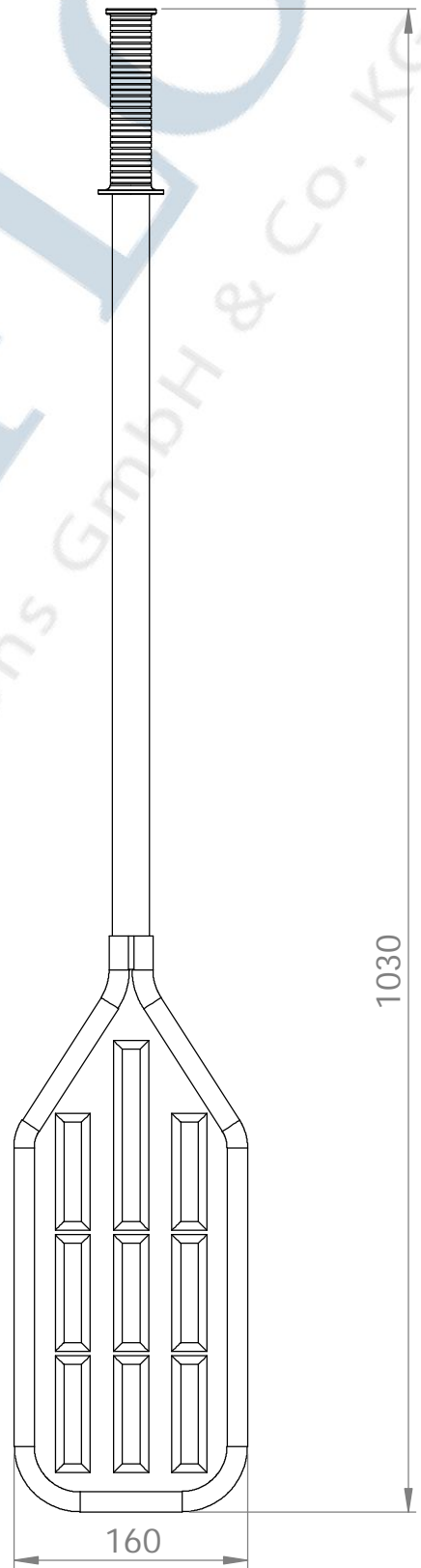


Ø 25.40



1030

160

DATE DRAWN	10.11.2016	MATERIAL:	Plastics	PART NAME:	10087-P	
1st revision		Total Net weight:	430 gr	NOTES:		
2nd revision						
3rd revision						
Last revision				SCALE: 1:10	PAGE 1 / 1	A4