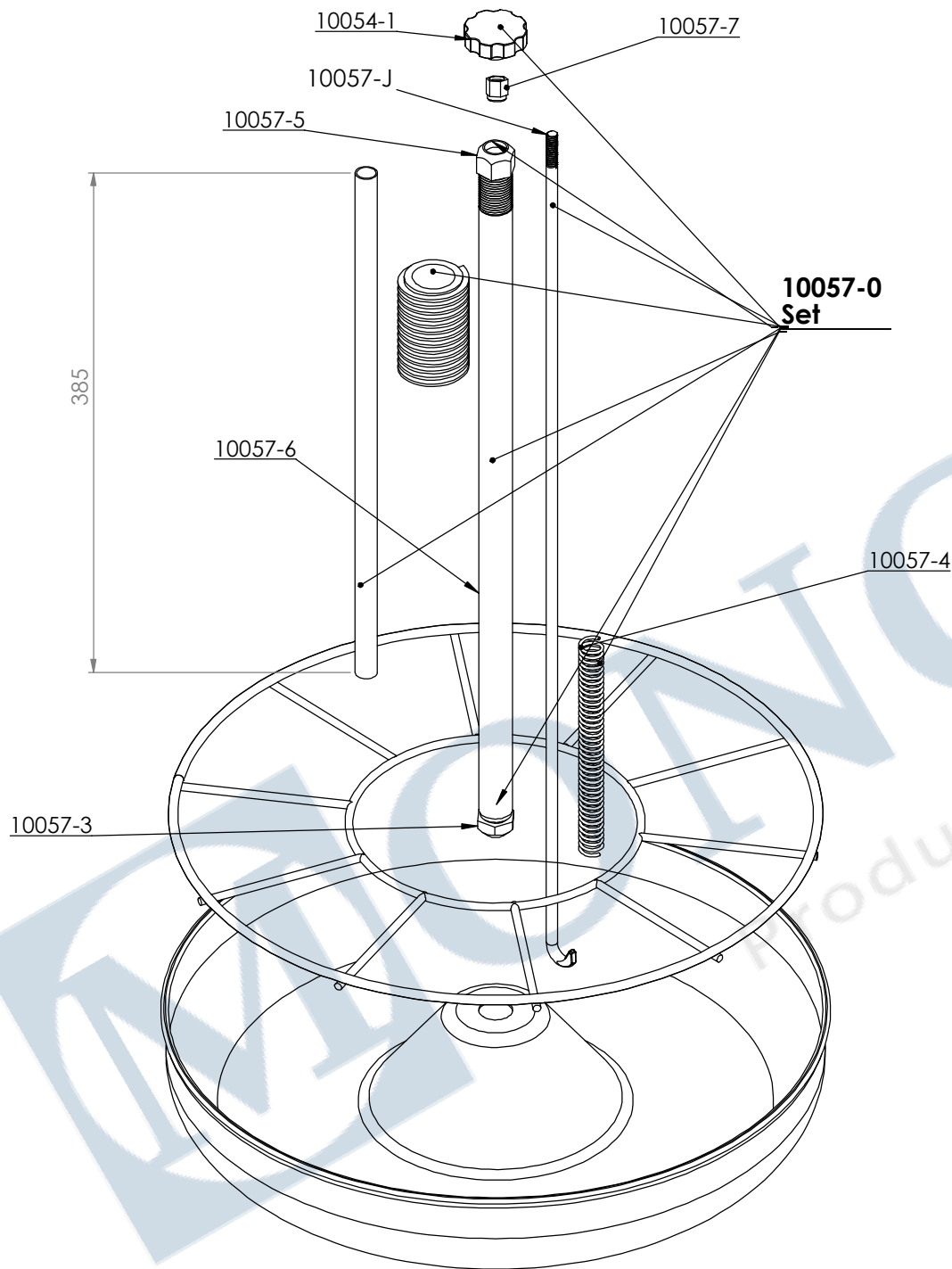


DATE DRAWN	02.04.2014	MATERIAL:		PART NAME:	10057	
1st revision	09.01.2024	Total Net weight:	gr	NOTES:		
2nd revision						
3rd revision						
Last revision				SCALE: 1:10	PAGE 1 / 4	A3



DATE DRAWN		MATERIAL:		PART NAME: 10057 Spare parts
1st revision		Total Net weight:		
2nd revision				NOTES:
3rd revision				
Last revision				SCALE: 1:10
				PAGE 3 / 4
				A3