

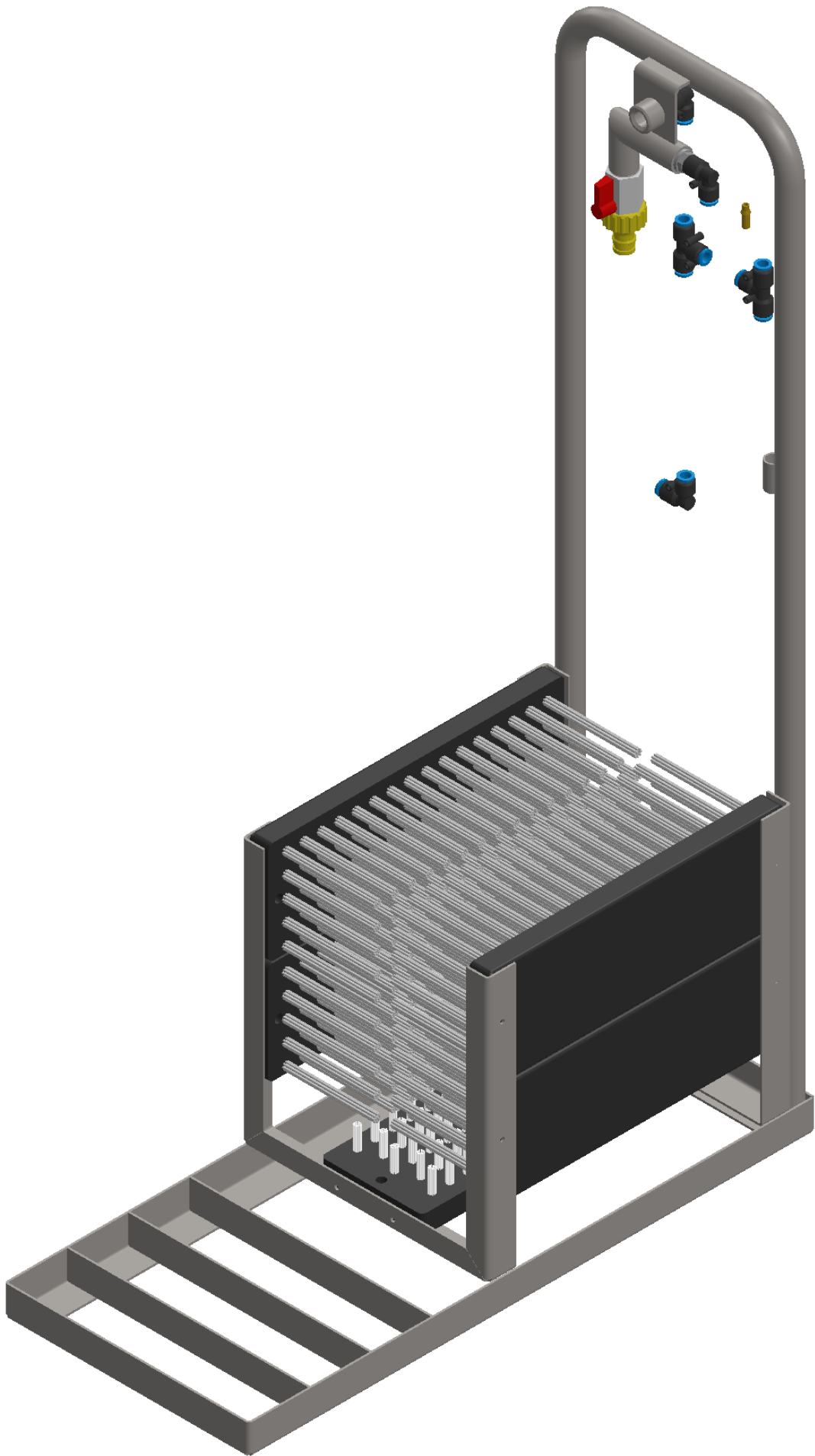
DATE DRAWN	07.04.2014	MATERIAL:	
1st revision			
2nd revision			
3rd revision			
Last revision			

PART NAME:
50514
50514-1 / -2 / -4 / -5 / -6 / -7 / -8

SCALE: 1:10

PAGE 1 / 2

A4



DATE DRAWN		MATERIAL:		PART NAME:	50514	
1st revision		Total Net weight:	gr	NOTES:		
2nd revision						
3rd revision						
Last revision				SCALE: 1:10	PAGE 2 / 2	A4